

# TAKER B50 & B52

---

500-331-G | 500-333-G

PRODUCT MANUAL

# TABLE OF CONTENTS

---

## INTRODUCTION

---

|                                     |   |
|-------------------------------------|---|
| Taker Reference Guide               | 3 |
| Physical Characteristics & Warnings | 4 |

## BATTERY

---

|                                      |   |
|--------------------------------------|---|
| Battery Installation and Replacement | 5 |
| Battery Life                         | 6 |

## OPERATION

---

|                   |   |
|-------------------|---|
| Operational Modes | 6 |
|-------------------|---|

## FEATURES

---

|                          |   |
|--------------------------|---|
| Power/Kill Switch        | 7 |
| Pressure Switch          | 7 |
| Dual Settings            | 8 |
| Heavy Duty Braided Cable | 8 |
| Retrofit                 | 8 |

## INSTALLATION

---

|                     |   |
|---------------------|---|
| Shield Installation | 9 |
|---------------------|---|

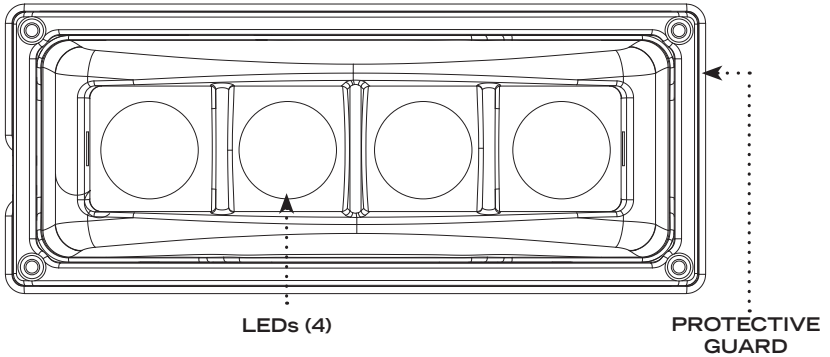
|                 |       |
|-----------------|-------|
| <b>WARRANTY</b> | 10-11 |
|-----------------|-------|

|                        |    |
|------------------------|----|
| <b>CONTACT FOXFURY</b> | 11 |
|------------------------|----|

# TAKER REFERENCE GUIDE

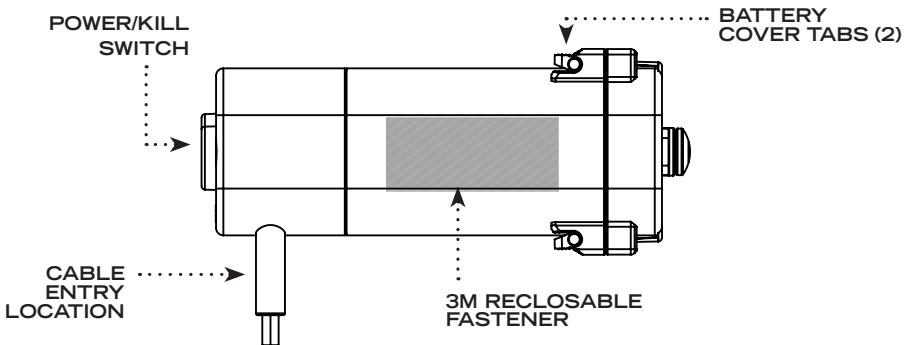
---

## LIGHT HEAD

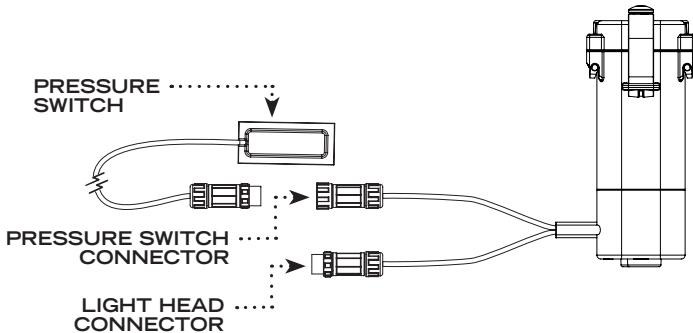


## BATTERY PACK

(FRONT SIDE - PLACED AGAINST SHIELD)



## CONNECTING THE BATTERY PACK



# PHYSICAL CHARACTERISTICS

---

Please read below before using the Taker B50 & B52 as it relays beneficial operating and safety information.

---

## SHIELD LIGHT (P/N 500-331-G & P/N 500-333-G)

---

|                   |   |
|-------------------|---|
| <b>DIMENSIONS</b> | LIGHT HEAD: 5.7 x 2.3 x 2.0 in (145 x 58 x 51 mm)<br>BATTERY PACK: 5.3 x 1.22 x 2.2 in (134.8 x 31 x 56 mm) |
| <b>WEIGHT</b>     | 18.46 oz (523.3 g)  |

---

## WARNINGS



Do not stare into LEDs for long periods of time or from a close range (less than 2 ft / 0.6 m).








FoxFury's Turbo-Strobe™ is purposely designed to induce disorientation. Prolonged viewing may produce vertigo or even vomiting.

---

---

## INCLUDED

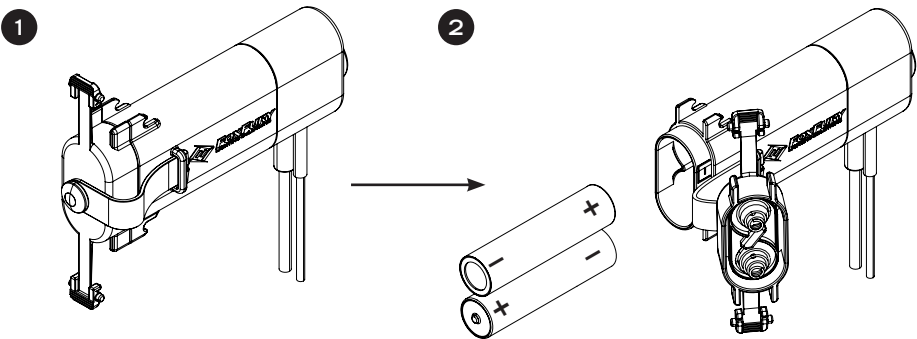
-  (6) 3M Reclosable Fastener 2" Width, P/N 51-030
  -  (8) Shield Light Cable Clips, P/N 61-041
  -  Black Cable Sleeve (installed), P/N 51-035
  -  Pressure Switch (installed), P/N 35-002
  -  Taker B50 & B52 Square Pressure Switch, P/N 35-009-1
-

# BATTERIES

---

- ❖ The Taker B50 has the option to use four (4) CR123, four (4) RCR123, or two (2) 18650 batteries. The Taker B52 uses two (2) 18650 batteries.
- ❖ Mixing of new and used, or different brand batteries is not recommended as this could lead to leakage or explosion.

## BATTERY INSTALLATION AND REPLACEMENT



- 1 Open all two (2) of the Battery Pack Cover Tabs.
  - 2 Insert two (2) 18650 batteries. Reference the plus (+) and minus (-) symbols located on the ridge of the Battery Pack for proper installation
  - 3 Once batteries are installed, activate the light by pushing the Power/Kill Switch located on the opposite side of the Battery Cover once, and push the Pressure Switch. If the light does not turn on, push Power/Kill Switch once and try again. If the light still does not turn on, please make sure that the batteries are inserted correctly.
  - 4 Secure the Battery Pack Cover by snapping all two (2) Battery Pack Cover Tabs. A 'click' should be heard as the Tabs are shut.
- ❖ NOTE: Make sure that the Battery Cover is properly closed to maintain a water tight seal.

## TAKER B50 BATTERY LIFE (500-331-G)

| MODE          | BATTERY LIFE *   | LUMENS |
|---------------|--|--------|
| MOMENTARY     | 2 hours with 18650 Batteries<br>75 mins (declining to 20%) with<br>CR123 Batteries | 1,000  |
| TURBO-STROBE™ | 3 hours with 18650 Batteries<br>1 hour with CR123 Batteries                        | 1,000  |
| CONTINUOUS ON | 2 hours with 18650 Batteries<br>75 mins (declining to 20%) with<br>CR123 Batteries | 1,000  |

## TAKER B52 BATTERY LIFE (500-333-G)

| MODE          | BATTERY LIFE *             | LUMENS |
|---------------|----------------------------|--------|
| MOMENTARY     | 85 mins (declining to 30%) | 2,000  |
| TURBO-STROBE™ | 2 hours (declining to 20%) | 2,000  |
| CONTINUOUS ON | 85 mins (declining to 30%) | 2,000  |

\*Battery life may vary according to battery capacity & quality and prevailing ambient conditions.

# OPERATIONAL MODES

- ❖ For MOMENTARY mode: Press the Pressure Switch. While the Switch is depressed, the light will operate continuously. When the user removes pressure from the Switch, the light will turn OFF.
- ❖ For TURBO-STROBE™ mode: Press the Pressure Switch two (2) times in rapid succession.
- ❖ For CONTINUOUS ON: Press the Pressure Switch three (3) times in rapid succession. The light will remain ON.
- ❖ For OFF or EXIT a mode: Press the Pressure Switch once. Then, continue following the directions above to progress to desired mode.

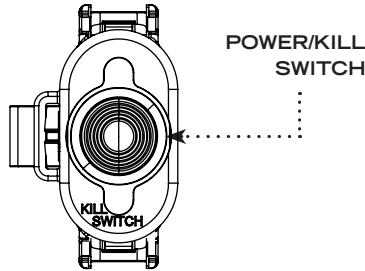
NOTE: The light does not retain the mode in memory. Once you turn the light ON, you will have to re-select the mode you desire.

# FEATURES

---

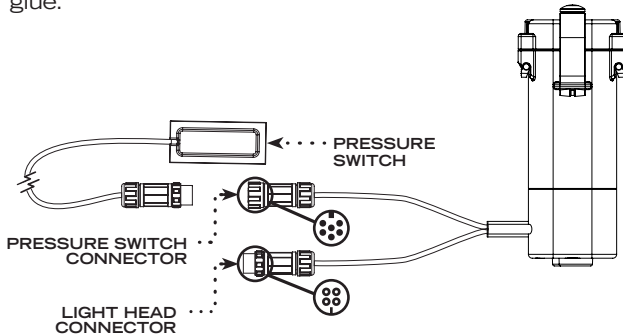
## POWER/KILL SWITCH

The Taker B50 & B52 has a Power/Kill Switch located on the OPPOSITE SIDE of the Battery Pack Cover. This mechanism is used to activate or disable the shield light.



## PRESSURE SWITCH

The Taker B50 & B52 includes a Pressure Switch that allows the user to place it anywhere on the shield. This makes it easier to access the Pressure Switch. The Pressure Switch can easily be attached to the shield via 3M Reclosable Fastener or glue.



- ❖ To connect the Pressure Switch Connector to the Pressure Switch, simply confirm alignment, insert the connector, and tighten the Screw Cap.
- ❖ To connect the Light Head Connector to the Light Head, simply confirm alignment, insert the connector, and tighten the Screw Cap.

# FEATURES (CONT'D)

---

## DUAL SETTINGS

The Taker B50 & B52 include two mode settings: the ON/OFF SETTING and the TACTICAL SETTING. The ON/OFF SETTING simply allows the Light Head to turn ON and OFF. The TACTICAL SETTING allows you to choose from three (3) different Operational Modes: Momentary, Turbo-Strobe™, and Continuous On. The Taker B50 & B52 comes in the TACTICAL SETTING.

To change from the TACTICAL SETTING to the ON/OFF SETTING:

- ❖ With the light turned OFF, press the Pressure Switch twice in rapid succession and hold for 10 seconds. The light should begin to flash. Once it begins flashing, it is now in the ON/OFF SETTING.

To change from the ON/OFF SETTING to the TACTICAL SETTING:

- ❖ With the light turned OFF, press and hold the Pressure Switch for 10 seconds. The light should begin to go through a slow Turbo-Strobe™ cycle and then turn OFF. It is now in the TACTICAL SETTING.

## HEAVY DUTY BRAIDED CABLE

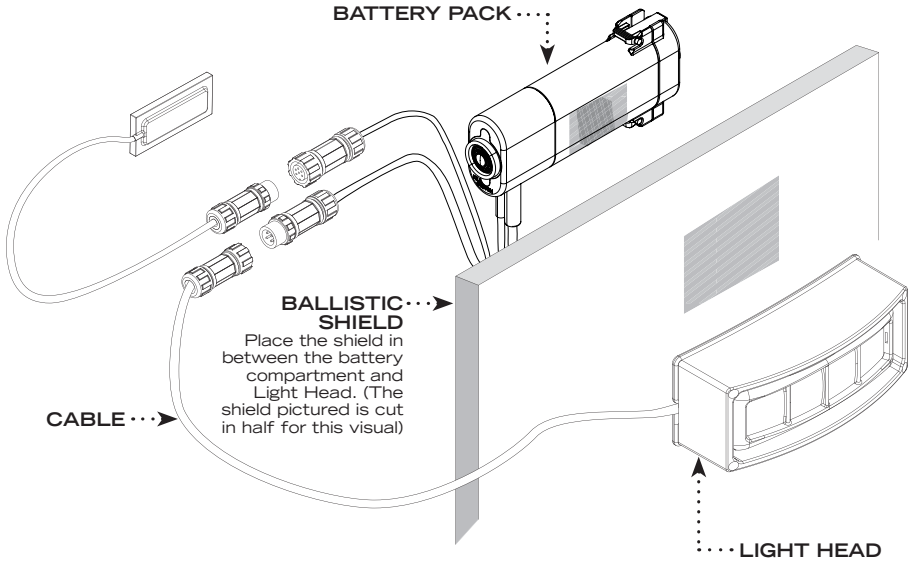
The cable of the B50 & B52 is made of steel that protects the internal wiring. The Black Cable Sleeve (P/N 51-035) helps to protect the steel cable while providing a black covering.

## RETROFIT

The Taker B50 & B52 can retrofit to most ballistic shields without drilling or permanent modification.



# SHIELD INSTALLATION



- 1 Clean the surface of the shield where the Battery Pack and Light Head will be placed.
- 2 Remove the protective plastic from the back of one of the provided 3M Reclosable Fastener (P/N 51-030). Place it on the Battery Pack (see p. 3). Then, place the Battery Pack onto the back of the shield (at desired location) and firmly press down. Ensure the strips are perpendicular to each other to prevent detachment.
- 3 Remove the protective plastic from the other piece of the 3M Reclosable Fastener and place it on the back of the Light Head. Then, place the Light Head onto the front of the shield (at desired location) and firmly press down.
  - ❖ It is recommended that the Light Head is placed on the “upper-center” portion of the front of the shield, but it can be placed anywhere.
  - ❖ The Battery Pack should be placed on the back of the shield. It can be placed anywhere as long as it is on the back of the shield.
  - ❖ Using the Shield Light Cable Clips (P/N 61-041) can help to secure the Cable of the Light Head.

NOTE: The Pressure Switch also has a provided 3M Reclosable Fastener that allows the user to place it in desired location.

# WARRANTY AND OTHER INFORMATION

---

## PRODUCT DURABILITY



\*UKCA:  
B50 from DC: 2323  
B52 from DC: 2423

## CARE/CLEANING

Your FoxFury product is a professional tool. Regular maintenance and care of your light will maximize performance for you. As needed, wash your FoxFury product using a soft washcloth, clean water and a mild soap. Be sure that all parts are reassembled securely before washing. When done, pat dry with a damp cloth.

## AVAILABLE ACCESSORIES

- ❖ Black Cable Sleeve, P/N 51-035
- ❖ Pressure Switch, P/N 35-002
- ❖ Taker B50 & B52 Square Pressure Switch, P/N 35-009-1
- ❖ Shield Light Cable Organizer Box, P/N 85-030
- ❖ Taker B50 & B52 Shield Light Spacer, P/N 60-039

## WARNINGS

FoxFury, LLC is not responsible for the incorrect use of any FoxFury Lighting product.

- ❖ When used for extended periods of time the light will become HOT to the touch. Please use care when operating.
- ❖ Lights are strong enough to cause damage to the human eye.
- ❖ Do not stare into LEDs for long periods of time or from a close range (less than 2 ft / 0.6 m).

- ❖ FoxFury, LLC is not responsible for any injury or damage caused during the use of this product.
- ❖ Usage of this product must be supervised by an adult when it is being used by a minor.
- ❖ Any FoxFury product should be operated at speeds safe enough to maneuver around surrounding obstacles.
- ❖ Do not use under the influence of drugs or alcohol.

## LIMITED LIFETIME WARRANTY

FoxFury, LLC ("FoxFury") warrants this product to be free from defects in material for a lifetime of use except for batteries, LEDs, abuse, and normal wear. We will repair or replace this product should we determine it to be defective. This limited lifetime warranty excludes rechargeable batteries, chargers, switches, and electronics, which have a 2-year warranty with proof of purchase.

This limited lifetime warranty is given only to the original end user of the accompanying product. If you purchased a product from someone other than an authorized FoxFury reseller/distributor or if the product was used, (including but not limited to demo models, show models or refurbished product by someone other than FoxFury) prior to your purchase, you are not the Original Purchaser and the product that you purchased is not covered by this warranty. This limited warranty is VOID if this Product has been altered or modified in any way (including but

not limited to attempted warranty repair without authorization from FoxFury and/or alteration/removal of the serial number). To expedite warranty concerns, we encourage the end user to register their FoxFury Product at [www.foxfury.com/pages/warranty-registration](http://www.foxfury.com/pages/warranty-registration).

THIS IS THE ONLY WARRANTY, EXPRESSED OR IMPLIED, INCLUDING ANY WARRANTY OF MERCHANTABILITY OR FITNESS FOR A PARTICULAR PURPOSE. INCIDENTAL, CONSEQUENTIAL OR SPECIAL DAMAGES ARE EXPRESSLY DISCLAIMED EXCEPT WHERE SUCH LIMITATION IS PROHIBITED BY LAW.

You may have other specific legal rights which vary by jurisdiction. Go to [www.foxfury.com/pages/warranty](http://www.foxfury.com/pages/warranty) for a complete copy of the warranty. Retain your receipt for proof of purchase.

## **CONTACT FOXFURY**

FoxFury, LLC  
Oceanside, CA 92056 USA  
**Tel:** 760.945.4231  
**Email:** [service@FoxFury.com](mailto:service@FoxFury.com)  
**Web:** [FoxFury.com](http://FoxFury.com)

All FoxFury products are designed in Oceanside, CA. All FoxFury products are manufactured with the highest quality USA and foreign parts. Products are assembled in either FoxFury's controlled plant in Asia or the USA, under strict quality control.

## **CALIFORNIA PROPOSITION 65**

This product can expose you to chemicals including Lead and DEHP, which are known to the State of California to cause cancer and birth defects or other reproductive harm. For more information go to [www.P65Warnings.ca.gov](http://www.P65Warnings.ca.gov).

