



# D10 LIGHTING SYSTEM FOR DJI AVATA

---

P/N 700-324

PRODUCT MANUAL

# TABLE OF CONTENTS

---

## **INTRODUCTION**

---

Overview	3
Physical Characteristics	3
Reference Guide	4 - 5

## **BATTERY**

---

Charging the Battery	6
----------------------	---

## **OPERATIONAL MODES**

---

Operational Modes	6
Modes, Output & Battery Life	6

<b>INSTALLATION</b>	7 - 8
---------------------	-------

<b>CARE/CLEANING</b>	9
----------------------	---

<b>WARNINGS/WARRANTY</b>	9
--------------------------	---

<b>CONTACT FOXFURY</b>	10
------------------------	----

# OVERVIEW

---

This D10 Lighting System consists of multiple mounts and D10 lights that are Made in the USA for the DJI Avata drone. The D10's 30° LED beam pattern operates on continuous or strobe light modes. This rechargeable and splashproof light is durable and compact for a variety of uses where light is needed in a tight space. All 3 lights rotate 360° for optimum light placement.

## IMPORTANT!

Please fully charge the D10 before using it for the first time. Please read this manual before using your D10 Lighting System for DJI Avata as it relays beneficial operating and safety Information.

# PHYSICAL CHARACTERISTICS

---

## D10 Light

<b>DIMENSIONS</b>	1.07 x 0.77 x 1.4 in (27.3 x 19.5 x 36 mm)
<b>WEIGHT</b>	0.42 oz (12 g)

## DJI Avata Mount P/N 15-006

<b>DIMENSIONS</b>	1.20 x 1.14 x 0.74 in (30.6 x 29 x 18.7 mm)
<b>WEIGHT</b>	0.16 oz (4.4 g)

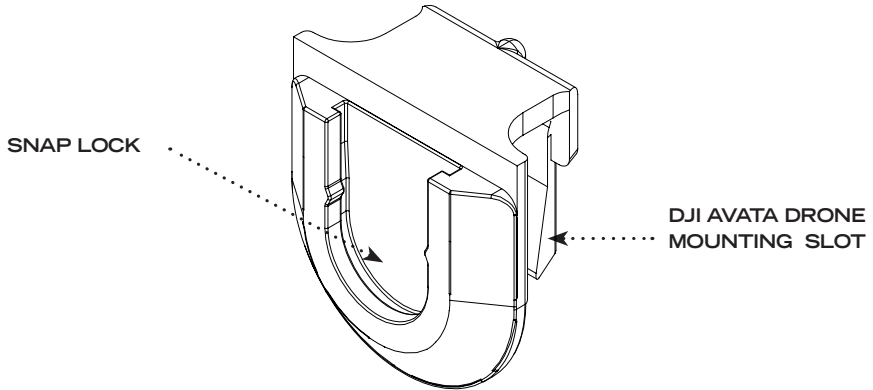
## D Series Flat Mounting Pad P/N 15-003

<b>DIMENSIONS</b>	1.14 x 1.06 x 0.2 in (29 x 27 x 5 mm)
<b>WEIGHT</b>	0.06 oz (1.7 g)

# REFERENCE GUIDE

---

## DJI AVATA FRONT MOUNT



---

## WHAT'S INCLUDED

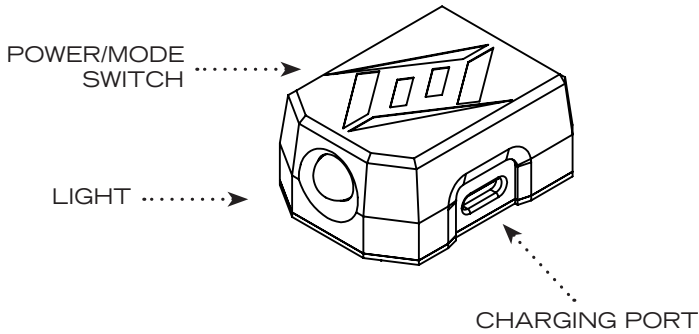
P/N 700-324

- ❖ D10 White Light (3 ea)
- ❖ DJI Avata Front Mount (2 ea)
- ❖ Micro USB Cable (3 ea)
- ❖ D Series Flat Mounting Pad (1 ea)
- ❖ 3M Dual Lock Reclosable Fastener (2 ea)

# REFERENCE GUIDE

---

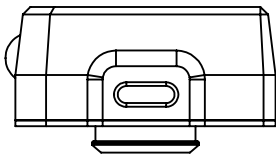
## D10 LIGHT



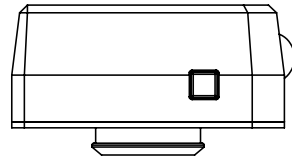
---

### CHARGING PORT

MICRO USB







### 360° SWIVEL



SNAP LOCK

---

## WARNINGS

-  Please fully charge the D10 before using it for the first time.
-  Do not stare into the LEDs for long periods of time or from a close range (less than 2 ft / 0.6 m).
-  While using any FoxFury product, please operate at safe speeds.
-  It is the responsibility of drone/UAV users to follow the FAA and global laws and regulations and/or the laws and regulations applicable to the flight location.

# BATTERY

---

## CHARGING THE BATTERY

- ❖ Connect the provided Micro USB Cable to the Charging Port, and to a USB source.
- ❖ While charging, a green light will blink. Once charged, the green light will remain steady on.
- ❖ Charge time should be approximately 1 hour.

### WARNING:

Unplug the light once charged to avoid impacting battery life.

If battery is fully discharged because the unit may have not been in use for many months, please charge fully.

## OPERATIONAL MODES

---

### OPERATIONAL MODES

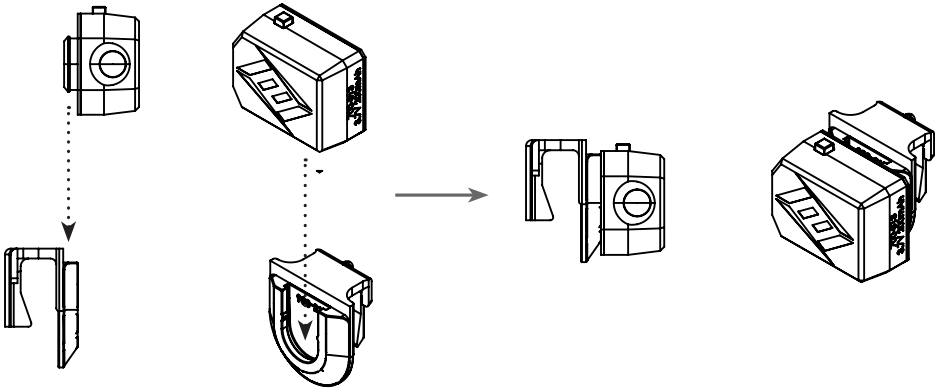
- ❖ Press and hold Power/Mode Switch for 3 seconds to turn light ON.
- ❖ Press Power/Mode Switch again to turn the light to STROBE.
- ❖ Press the Power/Mode Switch again to turn light OFF.

MODE	WHITE LUMENS	BATTERY LIFE
ON	200	30 - 40 minutes
STROBE	200	60 - 80 minutes

# INSTALLATION

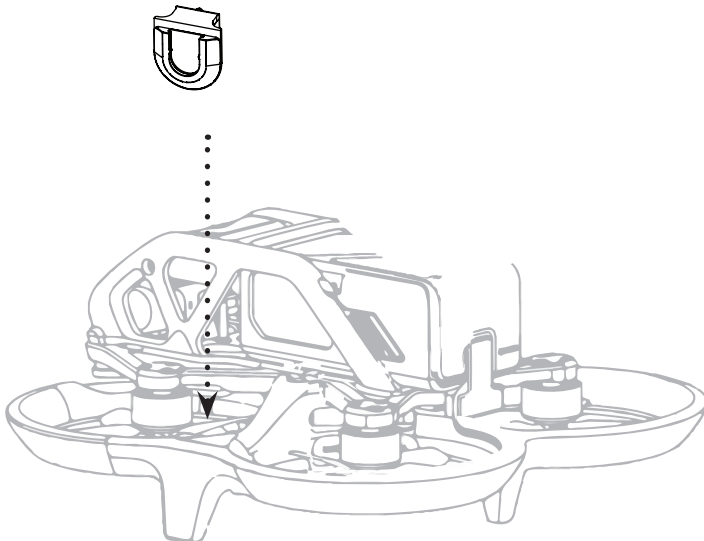
---

- 1 Align the bottom of the D10 light with mount snap lock location and snap the D10 unit in place. Spin and tug the mount to make sure it is properly attached.



- 2 Take the mount with the light installed, and mount onto the DJI Avata, as shown below (lights are removed for simplicity).

Confirm the mount is hooked on properly and secured before flight. Repeat steps on the opposite side of the drone.



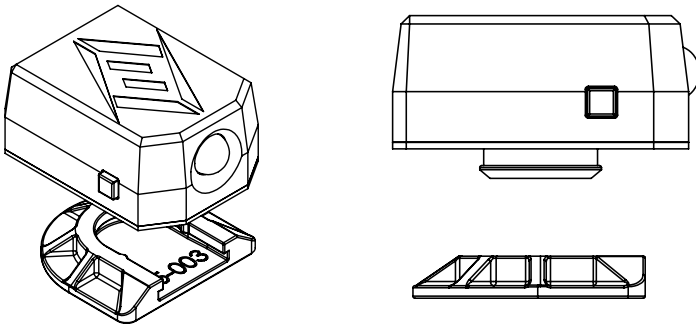
# INSTALLATION

---

- ③ The included third D10 Light and Flat Mounting Pad can be installed on the top of the drone or in an alternate location based on the user's preference or application.

Attach one half of the included 3M Dual Lock Reclosable Fastener to the desired location on the drone and the other half to the flat side of the mounting pad. Press firmly for good adhesion and trim if necessary.

Align the bottom of the D10 with snap lock location on mount and snap the D10 light in place. Spin them and tug to make sure they are properly attached before flight.



NOTE: When recharging D10 lights, they can either be removed from the Saddle or remain installed.

## NOTE:

Before our accessories are made available, they are tested internally and verified externally by a minimum of 2 professional users. We have experienced multiple cases of UAS (drone) mechanical modifications from manufacturers within the same P/N and revision, and without providing warnings or product updates. If there is a fit problem, please contact our customer service department at <https://www.foxfury.com/contact/>



# WARRANTY AND OTHER INFORMATION

---

## PRODUCT DURABILITY



### PRODUCT NAME & PART NUMBER:

D10 Lighting System for DJI Avata  
P/N: 700-324

## CARE/CLEANING

Your FoxFury product is a professional tool. Regular maintenance and care of your light will maximize performance for you. As needed, clean your FoxFury product using a damp soft washcloth. Do not immerse.

## ACCESSORIES

- D Series Mount Set, P/N 850-730
- D10 Infrared (IR), P/N 700-318

## WARNINGS

FoxFury, LLC is not responsible for the incorrect use of any FoxFury Lighting product.

- Lights are strong enough to cause damage to the human eye.
- Do not stare into LEDs for long periods of time or from a close range (less than 2 ft / 0.6 m).
- FoxFury, LLC is not responsible for any injury or damage caused during the use of this

product.

- Usage of this product must be supervised by an adult when it is being used by a minor.
- Any FoxFury product should be operated at speeds safe enough to maneuver around surrounding obstacles.
- Do not use under the influence of drugs or alcohol.

## ONE YEAR WARRANTY

FoxFury, LLC ("FoxFury") warrants this product to be free from defects in material for one year after purchase. LiPo batteries have a one year pro-rated or 300 re-charge cycle pro-rated warranty, whichever the user reaches first.

This warranty is given only to the original end user of the accompanying product. If you purchased a product from someone other than an authorized FoxFury reseller/distributor or if the product was used, (including but not limited to demo models, show models or refurbished product by someone other than FoxFury) prior to your purchase, you are not the Original Purchaser and the product that you purchased is not covered by this warranty. This warranty is VOID if this Product has been altered or modified in any way (including but not limited to attempted warranty repair without authorization from FoxFury and/or alteration/removal of the serial number). To expedite warranty concerns, we encourage the end user to register their FoxFury Product at [www.foxfury.com/pages/warranty-registration](http://www.foxfury.com/pages/warranty-registration).

THIS IS THE ONLY WARRANTY,  
EXPRESSED OR IMPLIED,  
INCLUDING ANY WARRANTY OF  
MERCHANTABILITY OR FITNESS  
FOR A PARTICULAR PURPOSE.  
INCIDENTAL, CONSEQUENTIAL  
OR SPECIAL DAMAGES ARE  
EXPRESSLY DISCLAIMED EXCEPT  
WHERE SUCH LIMITATION IS  
PROHIBITED BY LAW.

You may have other specific legal  
rights which vary by jurisdiction. Go to  
[www.foxfury.com/pages/warranty](http://www.foxfury.com/pages/warranty) for a  
complete copy of the warranty. Retain  
your receipt for proof of purchase.

### **CONTACT FOXFURY**

FoxFury, LLC

Oceanside, CA 92056 USA

**Tel:** 760.945.4231

**Email:** [service@FoxFury.com](mailto:service@FoxFury.com)

**Web:** [FoxFury.com](http://FoxFury.com)

All FoxFury products are designed in  
Oceanside, CA. All FoxFury products  
are manufactured with the highest  
quality USA and foreign parts.  
Products are assembled in either  
FoxFury's controlled plant in Asia or the  
USA, under strict quality control.

### **CALIFORNIA PROPOSITION 65**

This product can expose you to  
chemicals including Lead and DEHP,  
which are known to the State of  
California to cause cancer and  
birth defects or other reproductive  
harm. For more information go to  
[www.P65Warnings.ca.gov](http://www.P65Warnings.ca.gov).

