

MF SERIES

900-1012C | 900-1013C | 900-1014C | 900-1018 | 900-1031C | 900-1099C

PRODUCT MANUAL

TABLE OF CONTENTS

INTRODUCTION

Reference Guide	3
Models	4
Physical Characteristics	4

OPERATION

Usage Ranges	5
Operational Modes	5

BATTERY INFORMATION

Battery Life	6
Charging Batteries	6

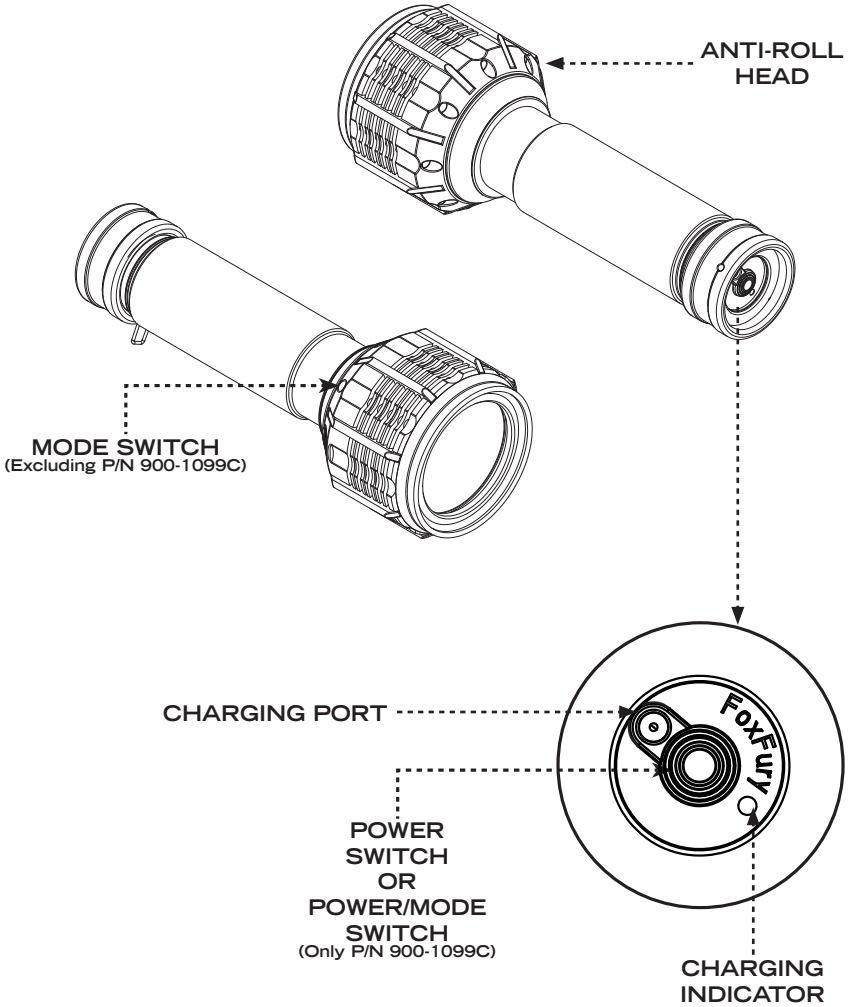
CARE AND CLEANING	7
--------------------------	---

ACCESSORIES	7
--------------------	---

WARRANTY	7-8
-----------------	-----



CONTACT FOXFURY	8
------------------------	---

MF LIGHT REFERENCE GUIDE



ALSO INCLUDED

-  AC Adaptor
-  Carry Strap

-  Goggles (excluding P/N 900-1018)
-  Case

Please read below before using the MF Forensic Light System as it relays beneficial operating and safety information.

MODELS

Part Number	Product Name	Goggles Included
900-1012C	MF 470nm Blue Forensic Light System	Orange
900-1013C	MF 495nm Cyan Forensic Light System	Orange
900-1014C	MF 525nm Green Forensic Light System	Orange
900-1018	MF 850nm IR Forensic Light System	N/A*
900-1031C	MF 365nm UV Forensic Light System	Yellow
900-1099C	MF All-in-One Forensic Light System	Orange, Yellow, Red

*The MF 850nm IR Forensic Light must be used with a camera with infrared capability. Evidence cannot be visualized with goggles or the naked eye.

PHYSICAL CHARACTERISTICS

DIMENSIONS	Length: 11.1 in (282 mm) Head Diameter: 3.8 in (97 mm) Handle Diameter: 2.1 in (53 mm)
WEIGHT	3.8 lbs (1.7 kg)

WARNINGS



Please fully charge the MF Forensic Light before using it for the first time.



When used for extended periods of time the Light Head may become HOT to the touch. Please use care when operating.



Do not stare into LEDs for long periods of time or from a close range (less than 2 ft or 0.6 m).

USAGE RANGES

The Maximum Operational Distance (MOD) is 20 ft (6 m). For best results, get as close as possible to the evidence and do not exceed the MOD.

OPERATIONAL MODES

For P/Ns 900-1012C, 900-1013C, 900-1014C, 900-1018, and 900-1031C:

MODE	INTENSITY
1	Low (33%)
2	High (100%)

- ❖ Press the Power Switch located at the base of the light to turn on the light.
- ❖ Press the Mode Switch located at the Light Head to change the mode
- ❖ Press the Power Switch to turn off the light.

For P/N 900-1099C:

MODE	DESCRIPTION
1	470nm Blue
2	496nm Cyan
3	525nm Green
4	850nm IR
5	White

- ❖ Press the Power/Mode Switch located at the base of the light to turn on the light. Light will be 470nm Blue.
- ❖ Press the Power/Mode Switch to cycle through the modes listed above to choose the desired light.
- ❖ Light turns off after Mode 5.

BATTERY INFORMATION

BATTERY LIFE

Battery life is expected as follows:

P/N	BATTERY LIFE
900-1012C 900-1013C 900-1014C 900-1018 900-1031C	1-2 hours*
900-1099C	4-6 hours*

*Battery life may vary according to capacity or age of the charged battery, mode, and ambient conditions.

CHARGING THE BATTERIES

- ❖ The MF Forensic Light is rechargeable. The Battery takes approximately 4 hours to charge fully.
- ❖ Use the supplied AC Adaptor to charge the Battery.
- ❖ The AC adaptor has an LED indicator which turns GREEN when plugged into an outlet. As soon as you connect it to the MF for charging, the indicator turns RED. Once fully charged, the indicator turns to solid GREEN.
- ❖ The Charging Indicator on the MF turns GREEN when the AC Adaptor plug is inserted into the Charging Port. This function advises that the MF is attempting to charge.

WARNING

Continuously charging (leaving the unit plugged in) could damage the battery and lead to a decreased battery life. Please disconnect the unit once it is fully charged.

WARRANTY AND OTHER INFORMATION

PRODUCT DURABILITY



Meets NFPA 1971-8.6 (2013)
Fire Resistant Requirements: 500° F /
260° C for 5 minutes

Operational Temperature: -10° to 40° C
(14° - 104° F)

CARE/CLEANING

Your MF Forensic Light System is a professional tool. Regular maintenance and care of your light will maximize performance for you. As needed, wash your Light using a soft washcloth, clean water and a mild soap. Be sure that all parts are reassembled securely before washing. When done, pat dry with a damp cloth.

AVAILABLE ACCESSORIES

- ❖ Carry Strap, P/N 600-100
- ❖ Case, P/N 80-001
- ❖ Orange Goggles, P/N 600-1010
- ❖ Yellow Goggles, P/N 601-1020
- ❖ Red Goggles, P/N 600-1040
- ❖ CS Eye® Orange Glasses, P/N 600-1110
- ❖ CS Eye® Yellow Glasses, P/N 600-1120
- ❖ CS Eye® Red Glasses, P/N 600-1140
- ❖ Rechargeable Battery System: Please contact FoxFury to place an order.

WARNINGS

FoxFury, LLC is not responsible for the incorrect use of any FoxFury Lighting product.

- ❖ Lights are strong enough to cause damage to the human eye.
- ❖ Do not stare into LEDs for long periods of time or from a close range (less than 2 ft / 0.6 m).
- ❖ Do not use under the influence of drugs or alcohol.
- ❖ MF Flashlight weighs about 3.8 lbs (1.7 kg). If the light falls to the ground, it may cause injury to a user or damage to a nearby surface.
- ❖ Head of flashlight will get very warm or hot. Avoid touching surface to prevent burns. Rubber insulators have been strategically installed to protect the user and to protect the surfaces where the flashlight will be placed.
- ❖ FoxFury, LLC is not responsible for any injury or damage caused during the use of this product.

UV LIGHT

- ❖ Avoid direct eye exposure to UV light. Keep out of reach of children.
- ❖ The UV LED during operation radiates intense UV light.
- ❖ Do not look directly into the UV light during operation, even for a brief period. This can be harmful to the eyes due to the intensity of the UV light.
- ❖ When viewing with the UV light, please use UV filtered glasses to avoid damage by the UV light.

LIMITED LIFETIME WARRANTY

FoxFury, LLC ("FoxFury") warrants this product to be free from defects in material for a lifetime of use except

for batteries, LEDs, abuse, and normal wear. Mechanical components subjected to constant deformation or action, like springs and switches, and electronic components including chargers and LEDs are warranted for a period of two years from the time of purchase. FoxFury will repair or replace a product should it be determined defective.

Rechargeable batteries are consumable items, and carry a pro-rated 2 year warranty. Example: If a problem arises after one year of use, only 50% of the replacement cost will be charged, as long as the batteries are verified to have been charged, stored, and used in accordance with required practices.

This limited lifetime warranty is given only to the original end user of the accompanying product. If you purchased a product from someone other than an authorized FoxFury reseller/distributor or if the product was used, (including but not limited to demo models, show models or refurbished product by someone other than FoxFury) prior to your purchase, you are not the Original Purchaser and the product that you purchased is not covered by this warranty. This limited warranty is VOID if this Product has been altered or modified in any way (including but not limited to attempted warranty repair without authorization from FoxFury and/or alteration/removal of the serial number). To expedite warranty concerns, we encourage the end user to register their FoxFury Product at www.foxfury.com/pages/warranty-registration.

**THIS IS THE ONLY WARRANTY,
EXPRESSED OR IMPLIED,**

**INCLUDING ANY WARRANTY OF
MERCHANTABILITY OR FITNESS
FOR A PARTICULAR PURPOSE.
INCIDENTAL, CONSEQUENTIAL
OR SPECIAL DAMAGES ARE
EXPRESSLY DISCLAIMED EXCEPT
WHERE SUCH LIMITATION IS
PROHIBITED BY LAW.**

You may have other specific legal rights which vary by jurisdiction. Go to www.foxfury.com/pages/warranty for a complete copy of the warranty. Retain your receipt for proof of purchase.

CONTACT FOXFURY

FoxFury, LLC
Oceanside, CA 92056 USA
Tel: 760.945.4231
Email: service@FoxFury.com
Web: FoxFury.com

All FoxFury products are designed in Oceanside, CA. All FoxFury products are manufactured with the highest quality USA and foreign parts. Products are assembled in either FoxFury's controlled plant in Asia or the USA, under strict quality control.

CALIFORNIA PROPOSITION 65

This product can expose you to chemicals including Lead and DEHP, which are known to the State of California to cause cancer and birth defects or other reproductive harm. For more information go to www.P65Warnings.ca.gov.

