

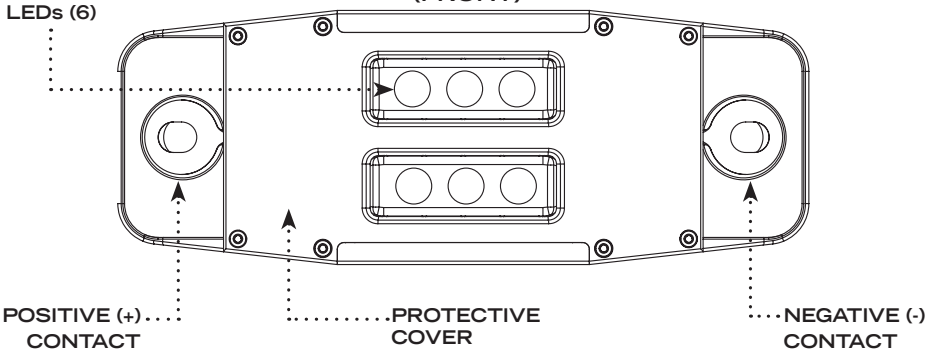
TAKER B70

480-670

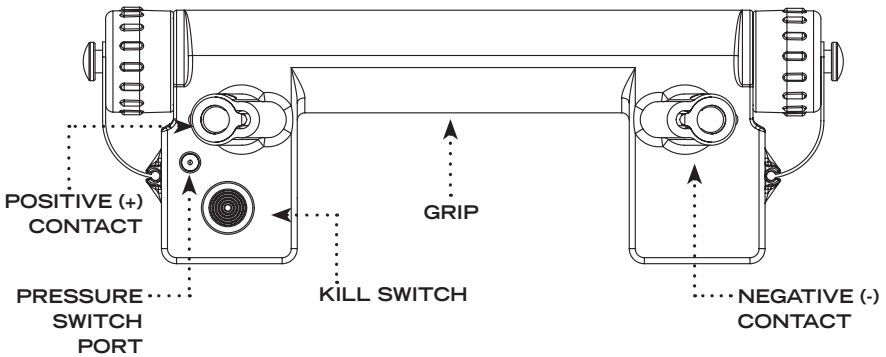
INSTALLATION GUIDE

TAKER B70 REFERENCE GUIDE

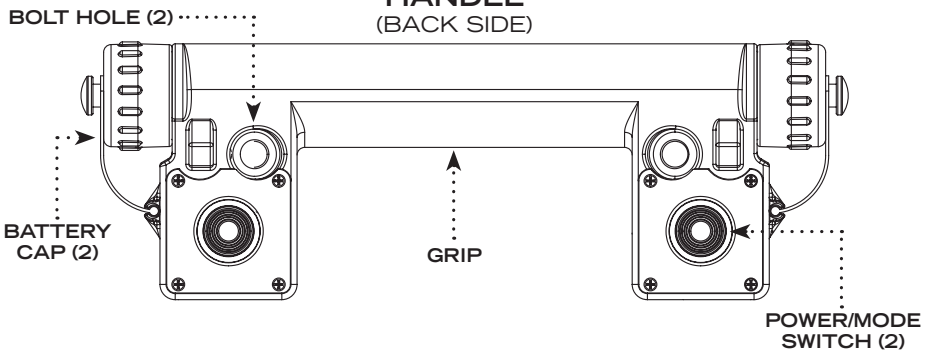
LIGHT HEAD (FRONT)



HANDLE (FRONT SIDE)



HANDLE (BACK SIDE)



WHAT'S INCLUDED

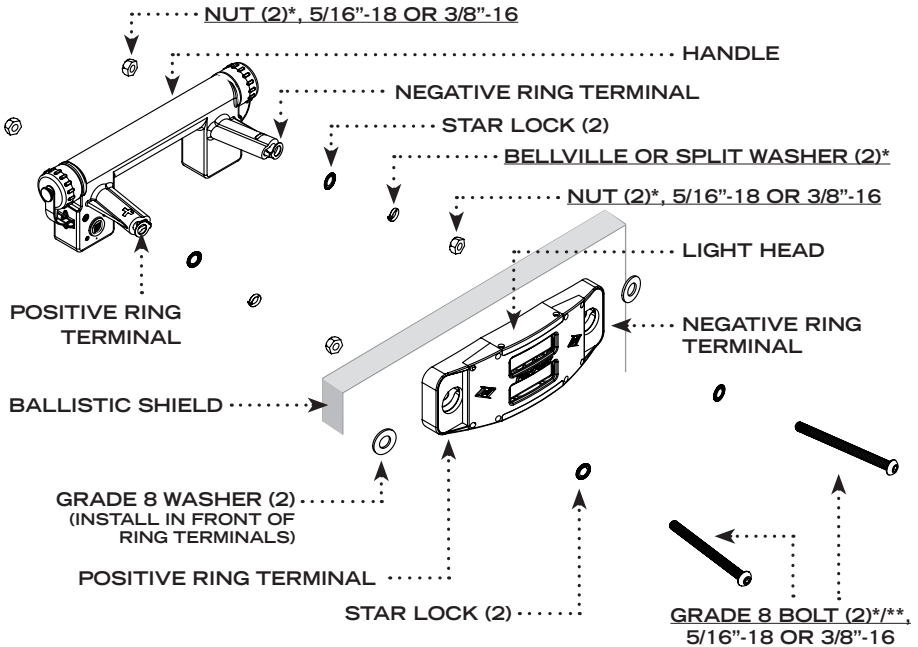
- ❖ Taker B70 Shield Light Head (P/N 600-480-670)
- ❖ Taker B70 Handle with Electronics & Square Pressure Switch (P/N 60-607)
- ❖ Pressure Switch
- ❖ Grade 8 Washer (2 each)
- ❖ Star Lock (4 each)
- ❖ Sleeve (2 each) – To be used with 5/16"-18 Bolt Only
- ❖ Foam (2 each) – Flat Shield Only

ITEMS REQUIRED

- ❖ Grade 8 Bolt (2 each): 5/16"-18 or 3/8"-16
Bolt Length: 97 mm plus shield thickness
- ❖ Nut (4 each): 5/16"-18 or 3/8"-16
- ❖ Bellville or Split Washer (2 each)
- ❖ Wrench or Socket: 1/2" or 9/16"

INSTALLATION

The Taker B70 is intended to be installed as an OEM product, by ballistic shield and armor manufacturers.



- 1 Install as the illustration above.
- 2 Test the light's performance by deactivating Kill Switch and pressing Power/Mode Switch on either Handle.

IMPORTANT:

*The underlined items above are NOT included and must be supplied by the shield manufacturer.

** When using 5/16"-18 Bolt, install the supplied Sleeve in each Handle. When using 3/8"-16 Bolt, the Sleeves are not needed for installation.

