



# SHIELD LIGHT CABLE ORGANIZER BOX

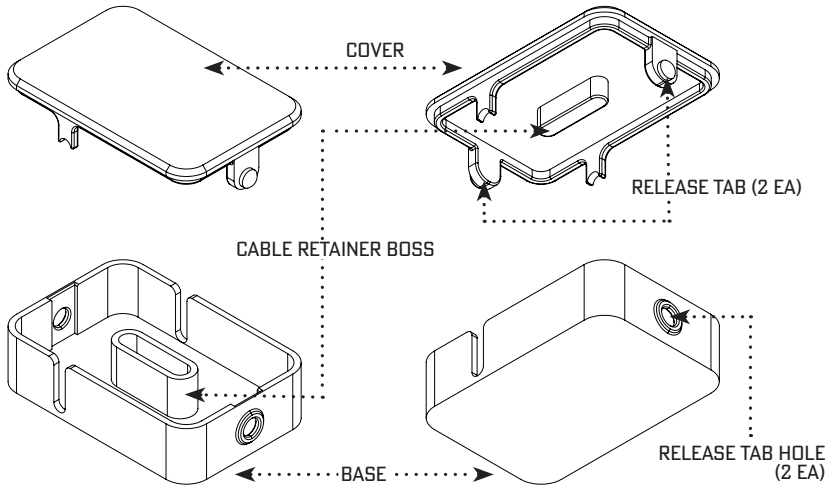
P/N 85-030

Please read below before using your Shield Light Cable Organizer Box as it relays beneficial operating and safety information.

## PHYSICAL CHARACTERISTICS

DIMENSIONS (L X W X H)	Full Assembly: 3.07 x 1.97 x 0.87 (78 x 50 x 22 mm)
TOTAL WEIGHT	1.06 oz (30 g)

## SHIELD LIGHT CABLE ORGANIZER BOX REFERENCE GUIDE

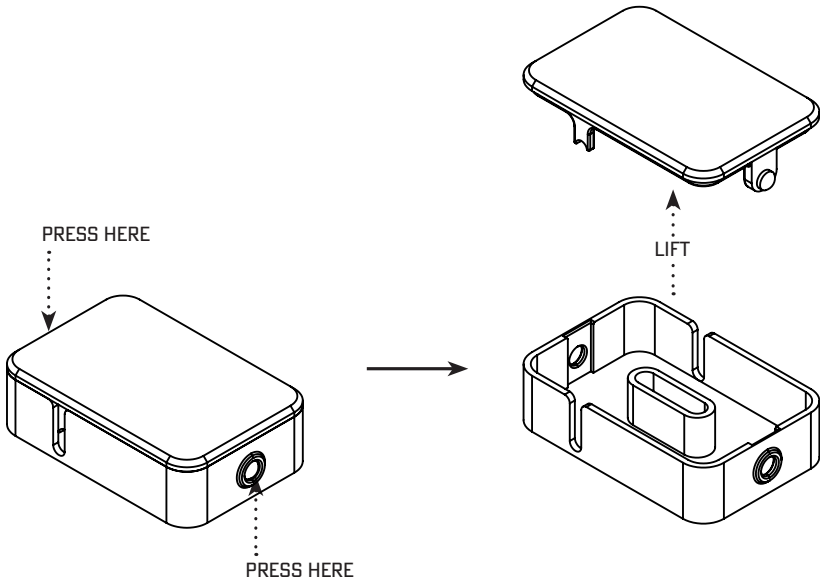


### INCLUDED

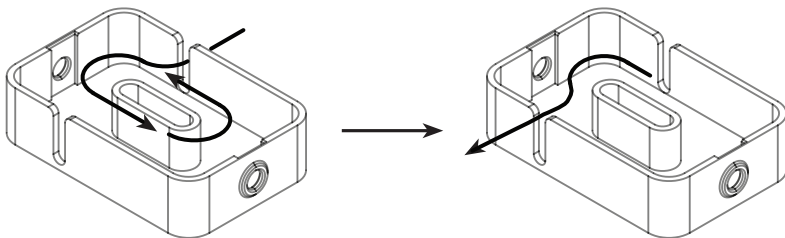
- Shield Light Cable Organizer Box
- 3M Reclosable Fastener

## INSTALLATION

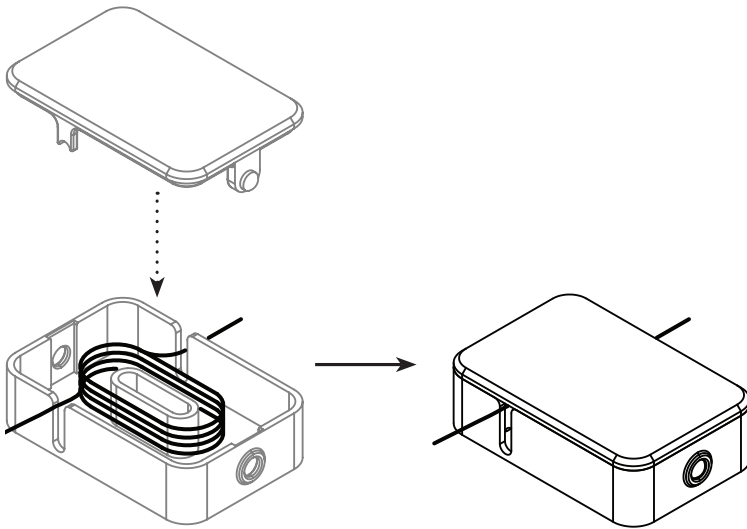
1. Press both Release Tabs while lifting the Cover from the Base. The internal Cable Retainer Boss of the Cover and Base should now be accessible.



2. Place excess cable through one side of the Cable Slot of the Base. Then, wrap, or loop, the cable around the Cable Retainer Boss until the desired amount of slack has been removed. Once the desired number of loops has been made, place the remaining cable through the other Cable Slot.



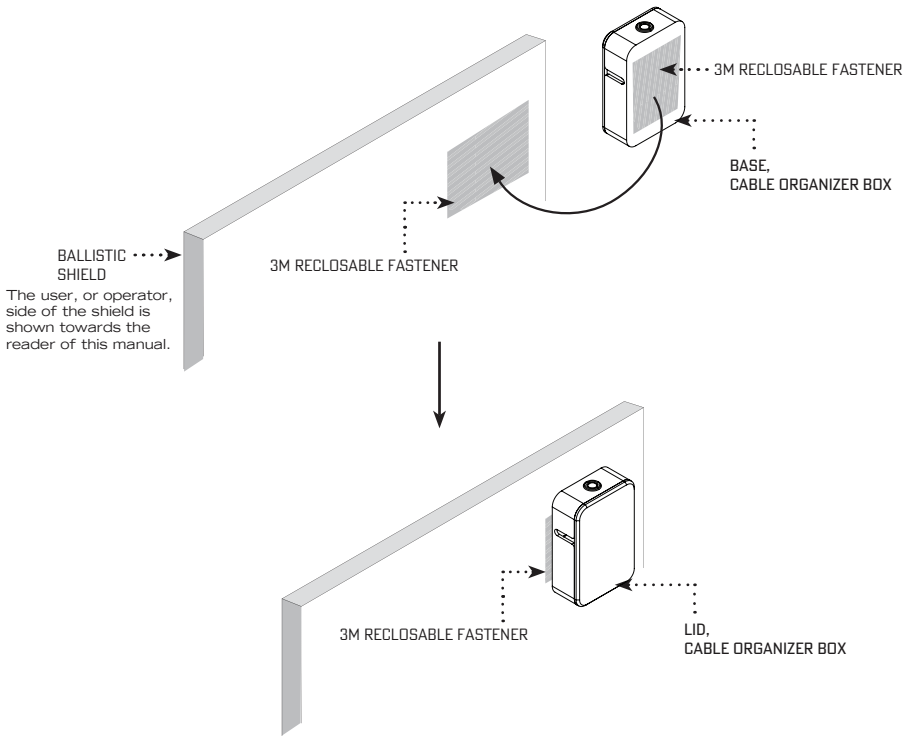
3. Use finger to keep the cable held in position around the Cable Retainer Boss. Press the Cover to the Base so that the Release Tabs align with the Release Tab Holes. Make sure that the Tabs are locked in the Holes.



## SHIELD INSTALLATION

1. Clean the surface of the shield where the Shield Light Cable Organizer will be placed.
2. Remove the protective plastic from the back of one of the provided 3M Reclosable Fastener (P/N 51-030). Place it on the back of the shield at the desired location. Press firmly to adhere the Reclosable Fastener to the rigid shield.
3. Remove the protective plastic from the back of one of the provided 3M Reclosable Fastener (P/N 51-030). Place it on the Cable Organizer Box (see the following page).
4. Then, place the Cable Organizer Box onto the back of the shield (at desired location where Reclosable Fastener was installed) and firmly press down, joining the two parts. Ensure the strips are perpendicular to each other to prevent detachment.

# SHIELD INSTALLATION REFERENCE



# WARRANTY AND OTHER INFORMATION

---

## CARE/CLEANING

Your TacSwan product is a professional tool. Regular maintenance and care of your product will maximize performance for you. As needed, wash your TacSwan product using a soft washcloth, clean water and a mild soap. When done, pat dry with a damp cloth.

## WARNINGS

TacSwan, LLC is not responsible for the incorrect use of any TacSwan Lighting product.

- TacSwan, LLC is not responsible for any injury or damage caused during the use of this product.
- Usage of this product must be supervised by an adult when it is being used by a minor.
- Any TacSwan product should be operated at speeds safe enough to maneuver around surrounding obstacles.
- Do not use under the influence of drugs or alcohol.

## LIMITED LIFETIME WARRANTY

TacSwan, LLC ("TacSwan") warrants this product to be free from defects in material for a lifetime of use except for batteries, LEDs, abuse, and normal wear. We will repair or replace this product should we determine it to be defective. This limited lifetime warranty excludes rechargeable batteries, chargers, switches, and electronics, which have a 2-year warranty with proof of purchase.

This limited lifetime warranty is given only to the original end user of the accompanying product. If you purchased a product from someone other than an authorized TacSwan reseller/distributor or if the product was used, (including but not limited to demo models, show models or refurbished product by someone other than TacSwan) prior to your purchase, you are not the Original Purchaser and the product that you purchased is not covered by this warranty. This limited warranty is VOID if this Product has been altered or modified in any way (including but not limited to attempted warranty repair without authorization from TacSwan and/or alteration/removal of the serial number). To expedite warranty concerns, we encourage the end user to register their TacSwan Product at [www.foxfury.com/pages/warranty-registration](http://www.foxfury.com/pages/warranty-registration).

THIS IS THE ONLY WARRANTY, EXPRESSED OR IMPLIED, INCLUDING ANY WARRANTY OF MERCHANTABILITY OR FITNESS FOR A PARTICULAR PURPOSE. INCIDENTAL, CONSEQUENTIAL OR SPECIAL DAMAGES ARE EXPRESSLY DISCLAIMED EXCEPT WHERE SUCH LIMITATION IS PROHIBITED BY LAW.

You may have other specific legal rights which vary by jurisdiction. Go to [www.foxfury.com/pages/warranty](http://www.foxfury.com/pages/warranty) for a complete copy of the warranty. Retain your receipt for proof of purchase.

All TacSwan products are designed in Oceanside, CA. All TacSwan products are manufactured with the highest quality USA and foreign parts. Products are assembled in either TacSwan's controlled plant in Asia or the USA, under strict quality control.

TacSwan Products are distributed by FoxFury, LLC.

### **CONTACT FOXFURY**

FoxFury, LLC

Oceanside, CA 92056 USA

Toll-Free: 844-FOXFURY

Tel: 760.945.4231

Fax: 760.433.3650

Email: [service@FoxFury.com](mailto:service@FoxFury.com)

Web: [FoxFury.com](http://FoxFury.com)

### **CALIFORNIA PROPOSITION 65**

This product can expose you to chemicals including Lead and DEHP, which are known to the State of California to cause cancer and birth defects or other reproductive harm. For more information go to [www.P65Warnings.ca.gov](http://www.P65Warnings.ca.gov).