



# D3060-PHANTOM 4 AND PHANTOM 4 PRO DRONE LIGHT SYSTEM

---

700-P4-D

PRODUCT MANUAL

# TABLE OF CONTENTS

---

<b>D3060 - P4 Drone Light System</b>	3
Reference Guide	3
Physical Characteristics	4
<hr/>	
<b>D3060 Light</b>	
Reference Guide	5
Physical Characteristics	6
Battery	7
Operational Modes	7 - 8
<hr/>	
<b>Installation</b>	9 - 10
<hr/>	
<b>CARE/CLEANING</b>	11
<b>WARNINGS/WARRANTY</b>	11 - 12
<b>CONTACT FOXFURY</b>	12

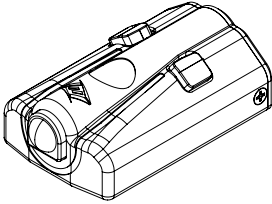
---

# D3060 - P4 DRONE LIGHT SYSTEM REFERENCE GUIDE

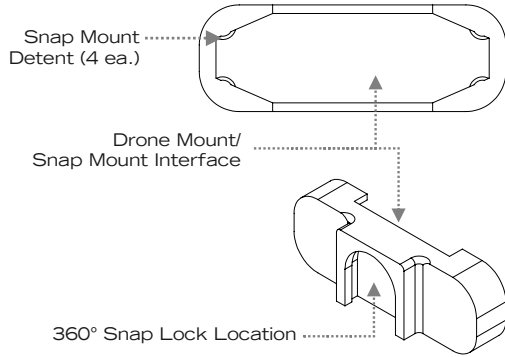
---

## D3060 LIGHT

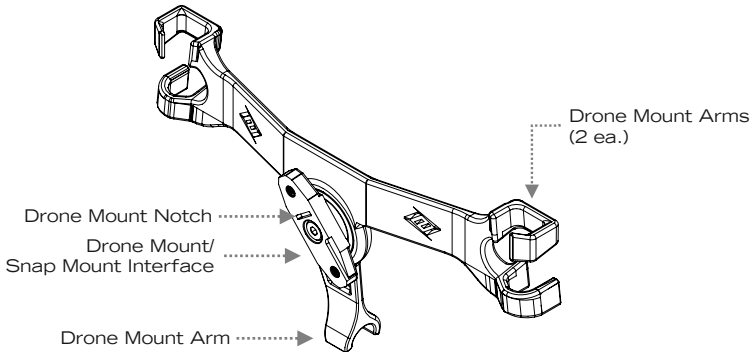
(Reference page 5)







## SNAP MOUNT FOR P4



## DRONE MOUNT



## ITEMS INCLUDED

-  P4 Drone Mounts (Set of 2), P/N 85-027
-  Snap Mounts for P4 (Set of 2), P/N 85-061
-  D3060 Light - Trade Compliant (2 each), P/N 700-310L-TC
-  USB Cable (2 each), P/N 51-144

# PHYSICAL CHARACTERISTICS

	DIMENSIONS	WEIGHT
P4 Drone Mounts	6.97 x 3.36 in (177 x 85.3 mm)	1.0 oz (28.4 g) each
Snap Mounts for P4	1.8 x 0.63 x 0.44 in (46 x 16 x 11.2 mm)	0.08 oz (2.3 g) each
D3060 Light	1.3 x 2.3 x 0.9 in (33 x 58 x 23 mm)	1.1 oz (31.2 g) each

## TOTAL WEIGHT OF SYSTEM

SYSTEM	WEIGHT
P/N 700-P4-D	4.36 oz (123.8 g)

### WARNING

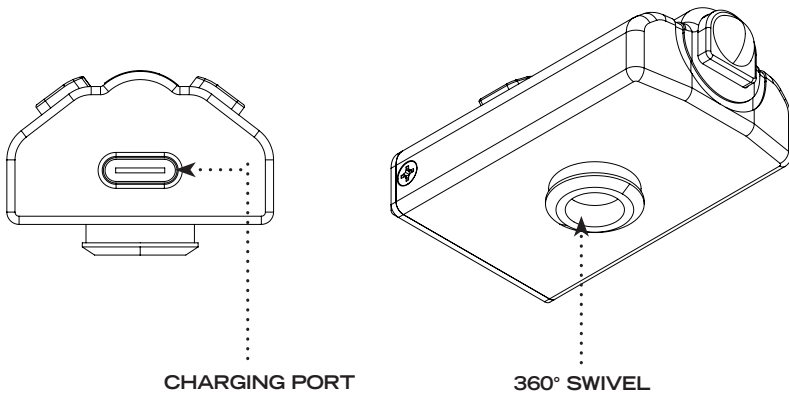
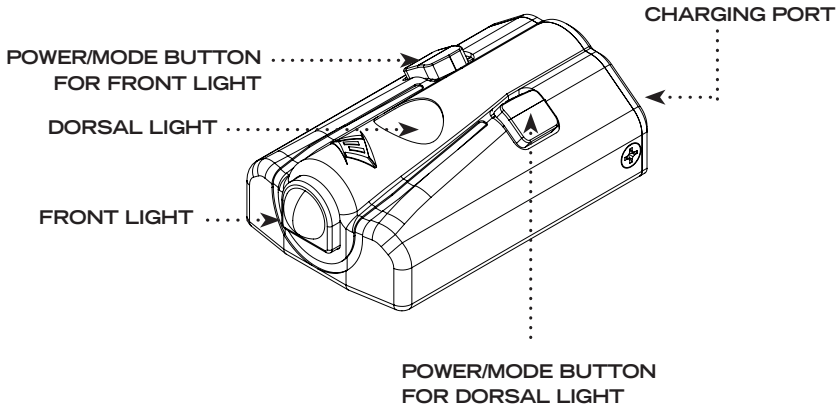


It is the responsibility of drone/UAV users to follow the FAA and global laws and regulations and/or the laws and regulations applicable to the flight location.

# D3060 LIGHT REFERENCE GUIDE

---

## D3060 Drone Light



# OVERVIEW

---

The D3060 is a multi-function utility light. Its 30° and 60° dual LEDs can operate with a high, low, or strobe mode to provide omni-directional lighting. This rechargeable and waterproof light is durable and compact for a variety of uses where light is needed in a tight space.

## IMPORTANT!

Please fully charge the D3060 before using it for the first time. Please read this manual before using your D3060 as it relays beneficial operating and safety Information.






# PHYSICAL CHARACTERISTICS

---

<b>DIMENSIONS</b>	1.3 x 2.3 x 0.9 in (33 x 58 x 23 mm)
<b>WEIGHT</b>	1.3 oz (37 g)

---

## WARNINGS

-  Please fully charge the D3060 before using it for the first time.
  -  Do not stare into the LEDs for long periods of time or from a close range (less than 2 ft/0.6 m).
  -  While using any FoxFury product, please operate at safe speeds.
  -  Be sure to rinse the D3060 with fresh water immediately after use in the ocean or a pool.
  -  It is the responsibility of drone/UAV users to follow FAA and global laws and regulations and/or the laws and regulations applicable to the flight location.
-

# BATTERY

---

## CHARGING THE BATTERY

- 🔌 Connect the provided USB-C Cable to the Charging Port and to a USB source.
- 🔌 While charging, a red light will be on. Once charged, it will turn green.
- 🔌 Charge time should be approximately 1.5 hours.

### WARNINGS:

Unplug the light once charged to avoid impacting battery life.

If battery is fully discharged because the unit may have not been in use for many months, please charge fully.

---

## OPERATIONAL MODES

WHITE LIGHT	MODE	LUMENS	BATTERY LIFE
FRONT LIGHT ONLY	HIGH	200	1.5 hours
	LOW	60	2.5 hours
	STROBE	200	2 hours
DORSAL LIGHT ONLY	HIGH	160	1.7 hours
	LOW	50	3 hours
	STROBE	160	2 hours
BOTH FRONT AND DORSAL LIGHTS	HIGH	N/A*	N/A*
	LOW	60 FRONT 50 DORSAL	2 hours
	STROBE	200 FRONT 160 DORSAL	1.5 hours

\*Thermal protection circuit will automatically reduce the Dorsal Light to low mode when the Front Light is on high mode. The battery life for this setup is 1 hour.

# OPERATIONAL MODES

---

## OPERATIONAL MODES (CONT'D)

- ❖ Press the Dorsal Light Power/Mode Button once to turn the Dorsal Light on to HIGH.
- ❖ Press the Dorsal Light Power/Mode Button again to turn the Dorsal Light to LOW.
- ❖ Press the Dorsal Light Power/Mode Button again to turn the Dorsal Light to STROBE.
- ❖ Press the Dorsal Light Power/Mode Button again to turn the Dorsal Light OFF.
- ❖ Do the same with the Front Light Power/Mode Button to control the Front Light.

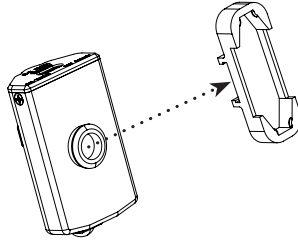


# INSTALLATION

---

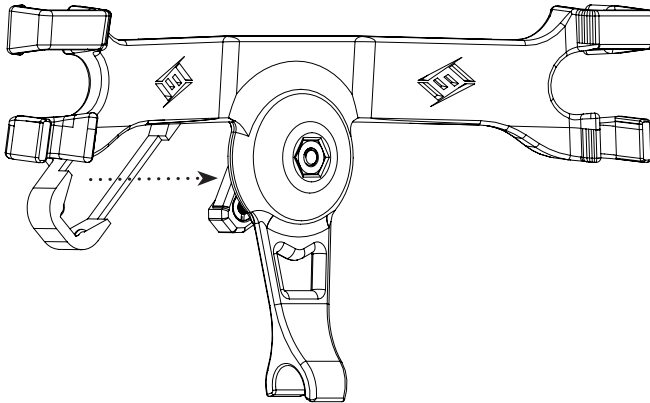
## MOUNTING D3060 TO SNAP MOUNT FOR P4

Align the 360° swivel of the D3060 with the snap lock location of the Snap Mount for P4 and press the D3060 light in place. Spin the light and tug to make sure it is properly attached.



## MOUNTING THE SNAP MOUNT TO THE P4 DRONE MOUNT

1. Align the interface of the Snap Mount for P4 and the P4 Drone Mount. Press the two parts together hard enough to overcome the resistance of the Snap Mount Detents.

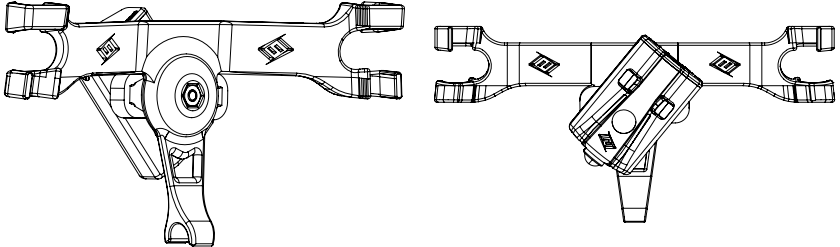


# INSTALLATION (cont'd)

---

2. The Snap Mount for P4 should now be fully installed and secured.  
(See images below)

NOTE: The light can be installed before or after the Snap Mount for P4 has been fitted to the P4 Drone Mount based on preference.



3. To secure the drone mounts to a Phantom 4 series drone, please refer to the Quick Start Guide:Rugo Drone Mounts for DJI Phantom 4 for P/N 85-027. Follow step 3 and step 4 as needed.

[https://www.foxfury.com/wp-content/uploads/2021/04/Rugo\\_DroneMounts\\_DJIPhantom\\_QuickStartGuide\\_JAN2019.pdf](https://www.foxfury.com/wp-content/uploads/2021/04/Rugo_DroneMounts_DJIPhantom_QuickStartGuide_JAN2019.pdf)

# WARRANTY AND OTHER INFORMATION

---

## PRODUCT DURABILITY



## CARE/CLEANING






Your FoxFury product is a professional tool. Regular maintenance and care of your light will maximize performance for you. As needed, clean your FoxFury product using a soft washcloth. Do not immerse.


## ACCESSORIES


D3060 IR, P/N 700-319  
D Series Mount Set, P/N 850-730

## WARNINGS

FoxFury, LLC is not responsible for the incorrect use of any FoxFury Lighting product.

-  When used for extended periods of time the D3060® will become HOT to the touch. Please use care when operating.
-  Lights are strong enough to cause damage to the human eye.
-  Do not stare into LEDs for long periods of time or from a close range (less than 2 ft / 0.6 m).
-  FoxFury, LLC is not responsible for any injury or damage caused during the use of this product.
-  Usage of this product must be supervised by an adult when it is being used by a minor.

 Any FoxFury product should be operated at speeds safe enough to maneuver around surrounding obstacles.

 Do not use under the influence of drugs or alcohol.

## ONE YEAR WARRANTY

FoxFury, LLC (“FoxFury”) warrants this product to be free from defects in material for one year after purchase. Li-PO batteries have a one year pro-rated or 300 re-charge cycle pro-rated warranty, whichever the user reaches first.

This warranty is given only to the original end user of the accompanying product. If you purchased a product from someone other than an authorized FoxFury reseller/distributor or if the product was used, (including but not limited to demo models, show models or refurbished product by someone other than FoxFury) prior to your purchase, you are not the Original Purchaser and the product that you purchased is not covered by this warranty. This warranty is VOID if this Product has been altered or modified in any way (including but not limited to attempted warranty repair without authorization from FoxFury and/or alteration/removal of the serial number). To expedite warranty concerns, we encourage the end user to register their FoxFury Product at [www.foxfury.com/pages/warrantyregistration](http://www.foxfury.com/pages/warrantyregistration).

THIS IS THE ONLY WARRANTY, EXPRESSED OR IMPLIED, INCLUDING ANY WARRANTY OF MERCHANTABILITY OR FITNESS FOR A PARTICULAR PURPOSE. INCIDENTAL, CONSEQUENTIAL OR SPECIAL DAMAGES ARE EXPRESSLY DISCLAIMED EXCEPT WHERE SUCH LIMITATION IS PROHIBITED BY LAW.

You may have other specific legal rights which vary by jurisdiction. Go to [www.foxfury.com/pages/warranty](http://www.foxfury.com/pages/warranty) for a complete copy of the warranty. Retain your receipt for proof of purchase.

## **CONTACT FOXFURY**

FoxFury, LLC  
Oceanside, CA 92056 USA  
**Toll-Free:** 844-FOXFURY  
**Tel:** 760.945.4231  
**Fax:** 760.433.3650  
**Email:** [service@FoxFury.com](mailto:service@FoxFury.com)  
**Web:** [FoxFury.com](http://FoxFury.com)

All FoxFury products are designed in Oceanside, CA. All FoxFury products are manufactured with the highest quality USA and foreign parts. Products are assembled in either FoxFury's controlled plant in Asia or the USA, under strict quality control.

## **CALIFORNIA PROPOSITION 65**

This product can expose you to chemicals including Lead and DEHP, which are known to the State of California to cause cancer and birth defects or other reproductive harm. For more information go to [www.P65Warnings.ca.gov](http://www.P65Warnings.ca.gov).

