



NOMAD[®] PRIME, P56, FORENSIC AND TACTICAL SCENE LIGHTS

200-800 | 200-800-TC | 200-8P56 | 200-811 | 200-812 | 200-813 |
200-814 | 200-818 | 200-819

PRODUCT MANUAL

TABLE OF CONTENTS

INTRODUCTION

Reference Guide	3
Overview	4
Physical Characteristics	4

BATTERY

Charging the Batteries	5
Charging from a 12VDC Vehicle Adaptor	5
Charge Indicator	5

OPERATION

AC-DC Adaptor and International Use	6
Operational Modes	6
Battery Life	7
Battery Life Indicator	7
Using the Nomad® while Plugged in	7

FEATURES

Diffuser Lens (Area-Spot)	8
Leveling Leg Extensions and Level Bubble	9
Anchor Strap	9

DEPLOYING THE NOMAD® 10-11

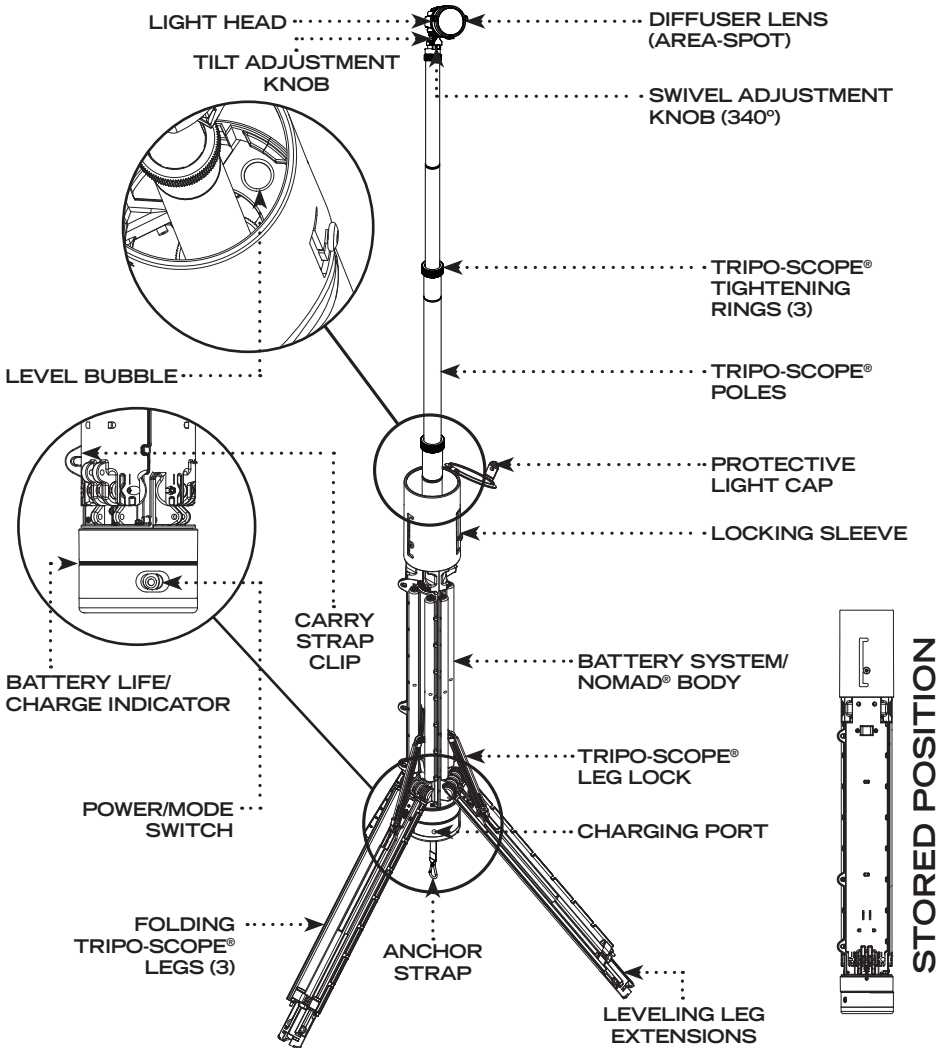
MAINTENANCE 12-16

WARRANTY 17-18

CONTACT FOXFURY 18

NOMAD® REFERENCE GUIDE

DEPLOYED VIEW



ALSO INCLUDED

- ▣ Accessories Bag
- ▣ AC-DC Adaptor
- ▣ 3M (Yellow) Reflective Tape
- ▣ AC Cable
- ▣ Carry Strap
- ▣ 12VDC Vehicle Adaptor
- ▣ Diffuser Lens in Red (only with Prime)

OVERVIEW

The Nomad® Prime, P56, Forensic and Tactical Scene Lights provide 3–24 hours of continuous lighting. It converts from an area light to spotlight in seconds by attaching/detaching the Diffuser Lens. Its portable, waterproof and adaptive design allows it to be used in places where other area lights cannot. You can use it as a bazooka light to survey an area or illuminate your path. In around 20 seconds, you'll be able to deploy the self-contained Tripo-Scope® Legs and raise the telescoping head up to 8 ft tall to illuminate the work area.

PHYSICAL CHARACTERISTICS

Please read below before using the Nomad® as it relays beneficial operating and safety information.

NOMAD® PRIME, P56, FORENSIC AND TACTICAL SCENE LIGHTS

P/N 200-800	NOMAD® PRIME	34.4 x 4.6 in (874 x 117 mm) 18.4 lbs (8.3 kg)
P/N 200-8P56	NOMAD® P56	
P/N 200-811	395nm UV	
P/N 200-812	470nm Blue	
P/N 200-813	495nm Cyan	
P/N 200-814	525nm Green	
P/N 200-818	850nm IR	
P/N 200-819	940nm IR	

WARNINGS:



Please fully charge the Battery System before using the Nomad® for the first time.



Do not stare into LEDs for long periods of time or from a close range (less than 2 ft or 0.6 m).



When used for extended periods of time the Nomad® Light Head will become HOT to the touch. Please use care when operating.

CHARGING THE BATTERIES

- 1 Start with the AC Cable. Connect it to the AC-DC Adaptor.
 - ❖ The AC Cable is Universal to NEMA 5-15P, 3 prong for USA and will work with a power range of 100VAC-240VAC 50/60 Hz.
- 2 Plug the Barrel Connector (part of the AC-DC Adaptor) into the Charging Port of the Nomad® Prime or P56.
 - ❖ Input voltage: 11-17VDC. Do NOT exceed!
 - ❖ The Nomad® is shipped with a 30% charge. It is important to charge it before using for the first time.
 - ❖ When the Charge Indicator FLASHES green it indicates that the battery is being charged. When the Nomad® is completely charged, the Charge Indicator will turn solid green.
 - ❖ Charging time will be approximately 5 hours.

NOTE: Charging will automatically stop after 9 hours for S/N 7157 and after. This will lengthen the longevity of your batteries.

CHARGING FROM A 12VDC VEHICLE ADAPTOR

- 1 Insert the 12VDC Vehicle Adaptor Cable into a 12V socket (located within the vehicle).
- 2 Insert the opposite end (Barrel Connector) into the Charging Port of the Nomad® Prime or P56.

NOTE: Do NOT start vehicle while the Nomad® is plugged in.

CHARGE INDICATOR (FOR LOCATION, PLEASE REFERENCE PAGE 3)

COLOR	DESCRIPTION
GREEN (SOLID)	FULLY CHARGED
GREEN (FLASHING)	CHARGING
RED (SOLID)	CHARGING ERROR*

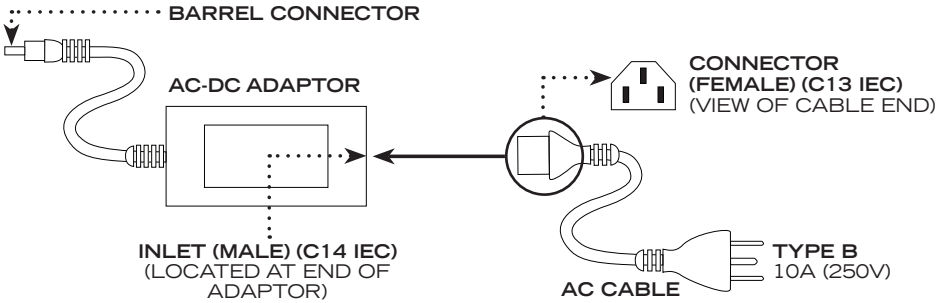
*If a charging error occurs, please contact FoxFury Customer Service (see pg. 18).

WARNINGS:

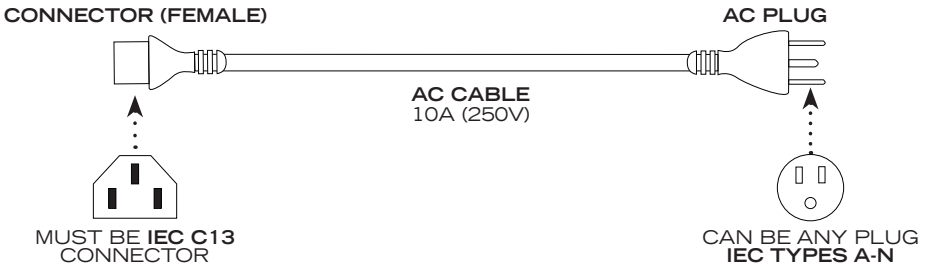
- Do not leave the unit plugged into an electric power source after unit is fully charged.
- Extended periods of charge could also result in the batteries being placed in thermal runaway mode.
- Use of any non FoxFury supplied AC-DC charger will VOID Product Warranty.

AC-DC ADAPTOR AND INTERNATIONAL USE

The Nomad® Series has an AC-DC Adaptor which uses AC Cables like those used in desktop computers or monitors. With every Nomad®, FoxFury supplies a cable that terminates in the USA standard 110 VAC plug.



The plug of the AC Cable should be country specific. Example: IEC Types A-N. The Female Connector side of the AC Cable must be IEC Type C13 to mate with the Male Inlet of the AC-DC Adaptor.



OPERATIONAL MODES

- ON/LOW mode: Press the Power/Mode Switch once.
- MEDIUM mode: From LOW mode, press the Power/Mode Switch once.
- HIGH mode: From MEDIUM mode, press the Power/Mode Switch once.
- FLASHING mode (excludes Nomad® P56, Forensic and Tactical Scene Lights): From HIGH mode, press the Power/Mode Switch once.
- OFF: From HIGH/FLASHING mode, press the Power/Mode Switch once.

NOTE: The light does not retain the mode in memory. Once the light is ON, re-select the mode desired.

BATTERY LIFE

MODE	BATTERY LIFE*	PRIME LUMENS	P56 LUMENS	FORENSIC LUMENS
HIGH	3 hours	5,600	4,100	NA
MEDIUM	9 hours	2,240	1,600	NA
LOW	24 hours	672	450	NA
FLASHING	9 hours	5,600	NA	NA

*Battery life may vary according to age and ambient conditions.

BATTERY LIFE INDICATOR (FOR LOCATION, PLEASE REFERENCE PAGE 3)

COLOR	DESCRIPTION
GREEN	FULL BATTERY
ORANGE	CAUTION—BATTERY IS GETTING LOW
RED (FLASHING)	CHARGE IMMEDIATELY

USING THE NOMAD® WHILE PLUGGED IN

The Nomad® can run continuously by plugging it into a power source.

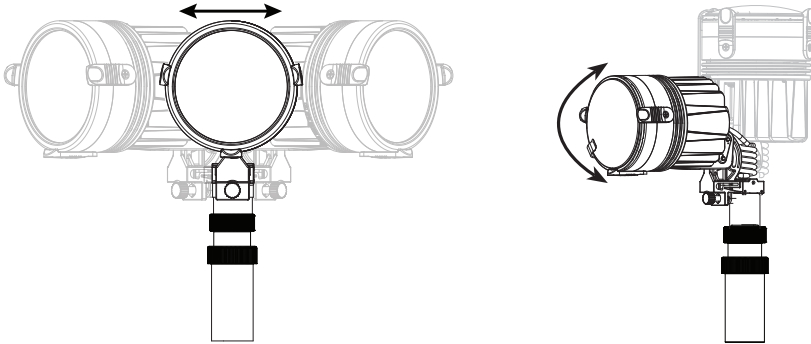
- 1 Start with the AC Cable. Connect it to the AC-DC Adaptor.
- 2 Plug the Barrel Connector (part of the AC-DC Adaptor) into the Charging Port of the Nomad®.
- 3 Press the Power/Mode Switch. The light will then turn ON.
 - ⚠ The Nomad® must be turned OFF in order to charge the Battery System. If it is plugged in and the Nomad® is ON, the battery is NOT being charged.
 - ⚠ Input voltage: 11–17VDC. Do NOT exceed!

NOTE: The Nomad® will NOT accept a 24VDC input.

FEATURES

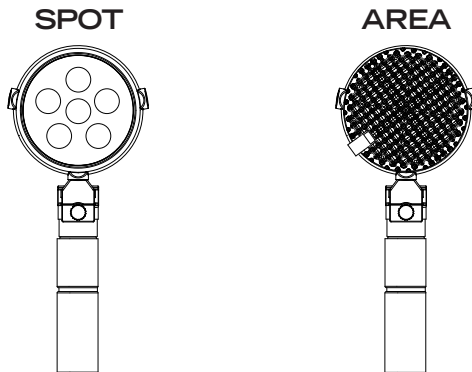
SWIVEL AND TILT LIGHT HEAD

The Nomad® Light Head has the versatility to swivel (via the Swivel Adjustment Knob) and tilt (via the Tilt Adjustment Knob).



DIFFUSER LENS (AREA-SPOT)

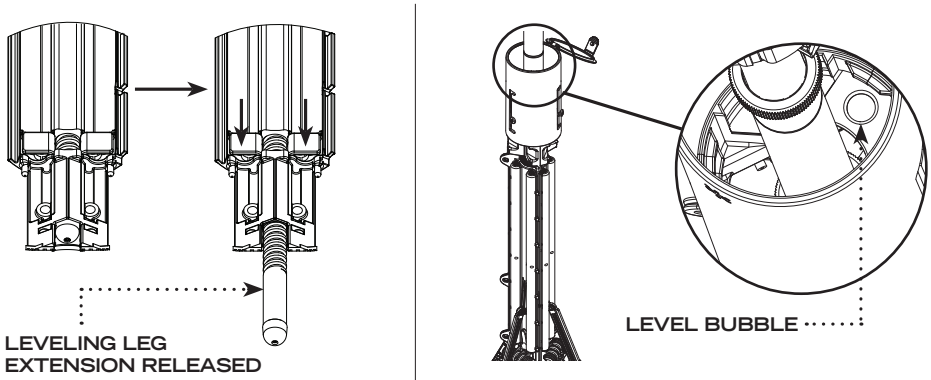
Lighting needs can change in an instant or on a case by case basis. As an Area-Spot light, the Nomad® provides two types of lights in one.



NOTE: The Diffuser Lens can be removed and cleaned for maintenance. Please reference p. 15.

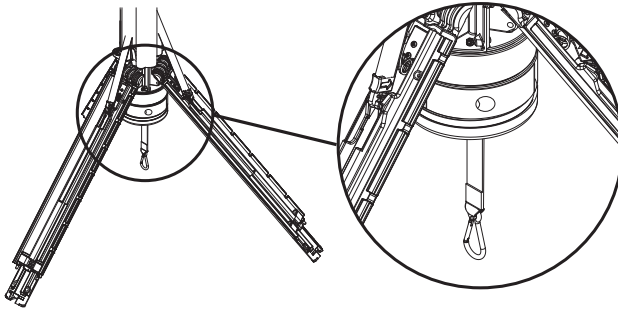
LEVELING LEG EXTENSIONS AND LEVEL BUBBLE

On uneven ground, fine adjustments can be made by releasing the Leveling Leg Extensions. The Level Bubble can be used for reference.

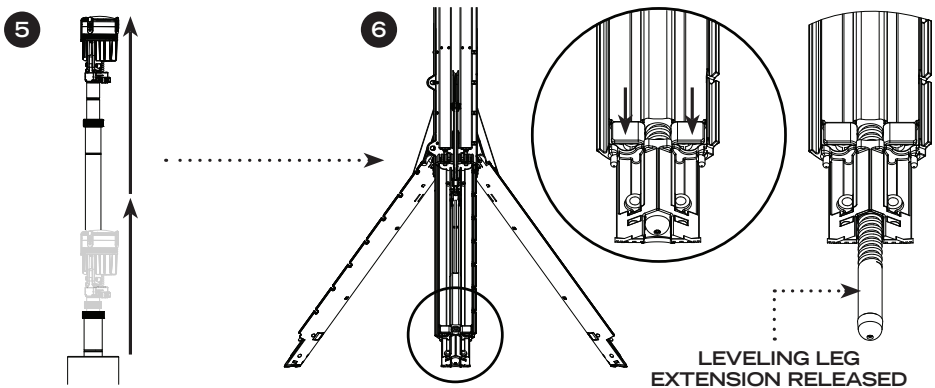
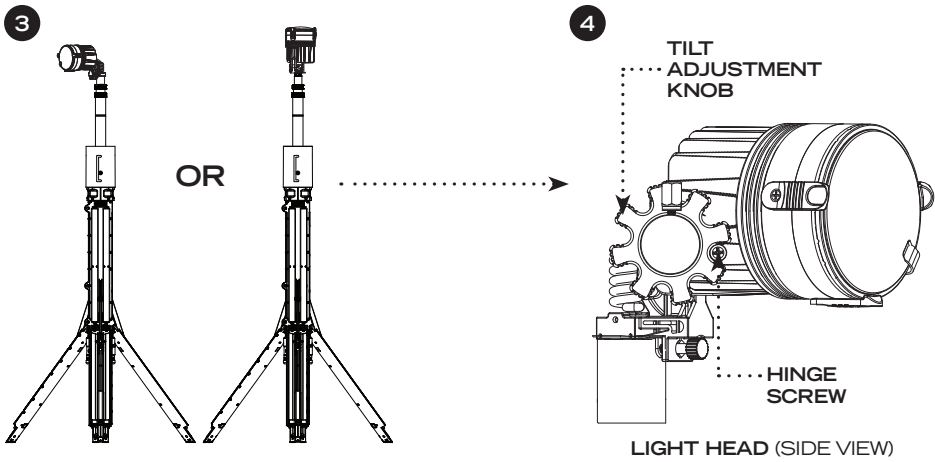
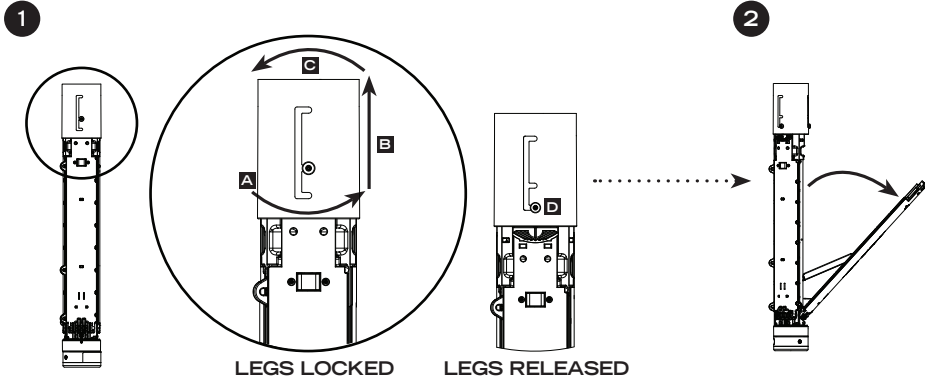


ANCHOR STRAP

In case of heavy wind or extreme weather conditions, attach a sand bag, or equivalent weight, to the concealed Anchor Strap (see the "Nomad® Reference Guide" on p. 3 for location).



DEPLOYING THE NOMAD®



- 1 Set the Nomad® down vertically, on a flat surface, as shown. Open the Protective Light Cap and twist the Locking Sleeve to the right (A) and slide upwards (B). While still holding the Locking Sleeve up, twist it back to the left (C). The folding Tripo-Scope® Legs are now accessible to deploy (D).
- 2 Unfold each Tripo-Scope® Leg and make sure they are locked in place by the Leg Locks (see the "Nomad® Reference Guide" on p. 3 for location).
- 3 Pull the Light Head up from inside the Locking Sleeve. If using for directional lighting, tilt and adjust the Light Head accordingly. Then, based on preference or need, adjust the Diffuser Lens to either Spot or Area lighting (see "Diffuser Lens" on p. 8 for more information).
- 4 Adjust the angle and swivel position of the Light Head by loosening the Tilt Adjustment Knob to the desired orientation and then re-tighten.
 - ❖ Light Head placement and adjustment can be made easier by tightening the Hinge Screw (located near the Tilt Adjustment Knob).
- 5 Elevate the Light Head to desired height by raising the Tripo-Scope® Poles. Tighten the Tripo-Scope® Tightening Rings (clockwise) to hold the poles at desired height.
 - ❖ **IMPORTANT:** To reposition, loosen the Tightening Rings, bring the Tripo-Scope® Poles down again and turn the Light Head OR physically pick up and move the position of the whole Nomad®. **DO NOT TRY TO TURN THE TRIPO-SCOPE® POLES AGAINST EACH OTHER.** This can cause permanent damage.
- 6 On uneven ground, adjust each Tripo-Scope® Leg individually, as necessary. Lift the leg off the ground, and then, using both thumbs, press and hold both of the Leg Extension Release Tabs until the Leveling Leg Extensions (located at the end of each of the Tripo-Scope® Legs) are released. Retract the Leveling Leg Extensions in the same manner.
 - ❖ Fine adjustment can be made by turning the Leveling Leg Extension by hand. Use the Level Bubble for reference.
 - ❖ In case of heavy wind or extreme weather conditions, attach a sand bag, or equivalent weight, to the concealed Anchor Strap (see "Anchor Strap" on p. 9 for location).

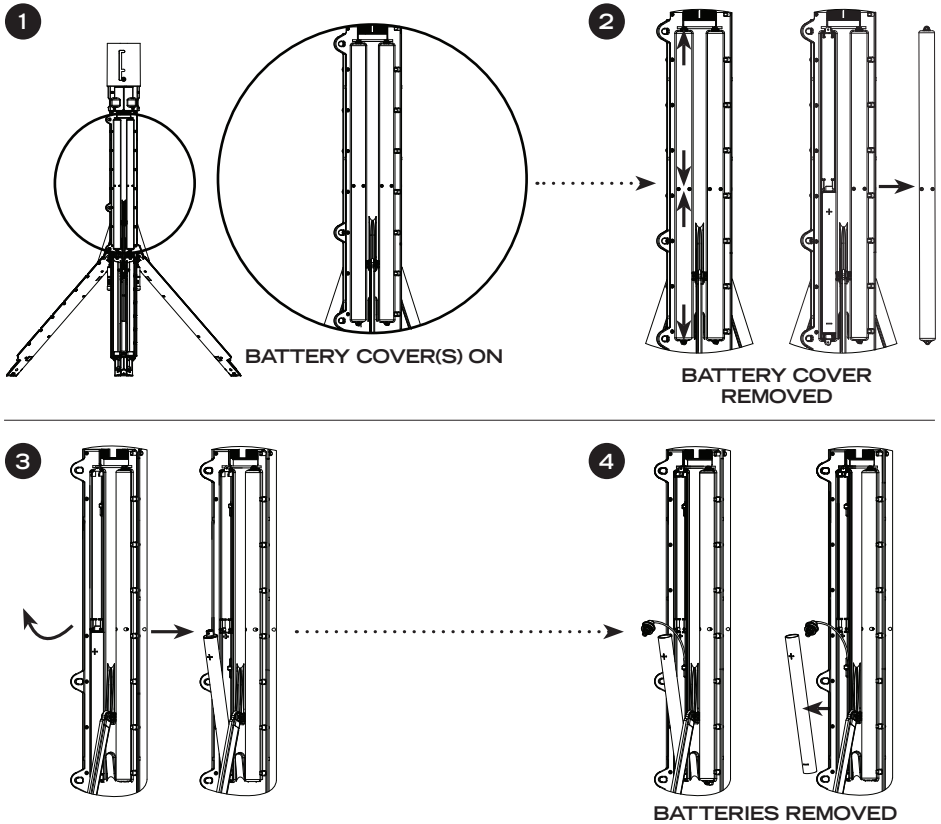
THE NOMAD® IS NOW READY FOR USE!

MAINTENANCE

REMOVING THE BATTERY TUBES

30 MINS ESTIMATED

The Nomad® uses six (6) Battery Tubes. Repeat the following steps three (3) times in order to replace all six (6) Battery Tubes.



Make sure the Nomad® is OFF and UNPLUGGED before beginning.

- 1 Open the folding Tripo-Scope® Legs so they are locked and deployed. Then, locate a Battery Cover.
- 2 Use a Phillips Head (+) #1 Screwdriver to remove the four (4) screws that hold the Battery Cover. Once the screws are removed, pull the Battery Cover off and set it aside.

Once the Battery Cover is removed, the Battery Tube is accessible.

- 3 At the TOP of the Battery Tube, there will be a red (positive) Battery Tube Cap. Place an index finger on it and pull the tube out by the red Cap (this should then help the bottom portion (black Cap) of the Battery Tube to easily slide out of the Battery Compartment). This action is similar to removing a AA battery from any generic battery holder.
 - ❖ To easily remove the Battery Tube from the Nomad® Body, it is best to pull straight out from the "crown" of the Red Cap.
 - ❖ NOTE: The wiring for the positive (+) and negative (-) Caps will remain attached to the Nomad® Body while the Battery Tube is pulled out of the Battery Compartment.
- 4 Remove the Battery Tube Caps (red and black) from each end of the Battery Tube. This can be done by simply popping the Battery Tube Cap off with one thumb.
 - ❖ DO NOT pull the Battery Tube Caps by the wires.

REPEAT STEPS 1-4 FOR THE 5 REMAINING BATTERIES.

IMPORTANT!



Please follow applicable laws and regulations for transport and disposal of batteries. For details on recycling please contact a government recycling agency, a waste-disposal service, or visit reputable online recycling sources such as www.batteryrecycling.com.

INSTALLING THE BATTERY TUBES

30 MINS (ESTIMATED)

Installing the Nomad® Battery Tubes follows the same procedures as removing them but in reverse order.



WARNINGS



Replace all batteries with new ones at the same time.

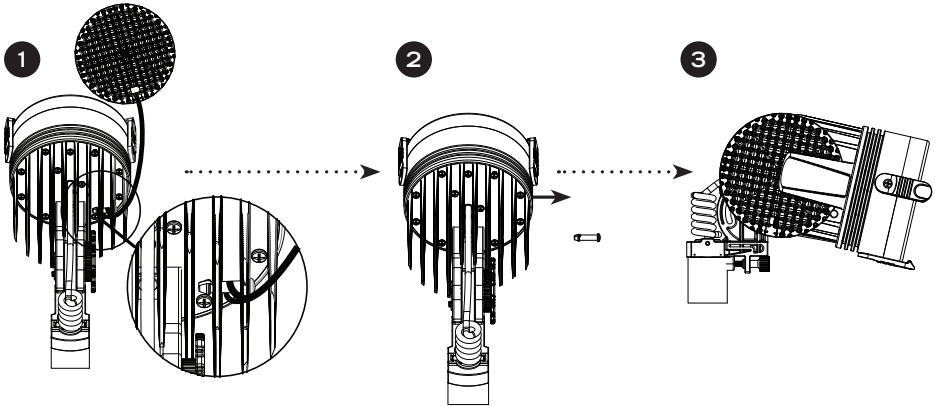


Be sure to check polarity, positive (+) and negative (-), when installing the Battery Tubes.

-
- 1 Start with the bottom of the Battery Tube. Attach the black Cap to the **NEGATIVE** end of the Tube. While holding the Cap in place, reinsert it into the Battery Compartment, at an angle.
 - 2 While still applying downward pressure to the Battery Tube, attach the red Cap to the opposite **POSITIVE** end of the Tube. Once secure, slide the Tube into place in the Battery Compartment.
 - ⚠ **IMPORTANT:** Be sure to place the red and black wires directly behind the Battery Tube before re-installing the Tube into the Battery Compartment. This will prevent the wires from being damaged, and it will help the Battery Tube go back into place easier.
 - 3 Once the Battery Tube is installed, test the Nomad® to make sure it turns ON. If it does not, check the Battery Tubes for any connection errors with the positive (+) and negative (-) ends. Then, place the Battery Cover back over the Battery Tube and tighten the four (4) screws into place.

REMOVING/INSTALLING THE DIFFUSER LENS

1 MIN (ESTIMATED)



- 1** Press the retaining fastener through the heatsink fins, laterally. The spring end will compress allowing it to fit through the hole.

◆ Use a small hand tool such as a flathead screwdriver.

- 2** Then, pull the fastener along with the Diffuser Lens and tether free from the Light Head.

- 3** The Diffuser Lens can be placed between the two most distal heatsink fins for a temporary holding place when adjusting from Area to Spot, to 360° with the Scene Cap, or during routine maintenance.

FOR RE-INSTALLATION: Repeat steps 1–2 in reverse order. Make sure that the centerline of the loop at the end of the tether is placed between the two most distal fins and aligned with the hole when inserting the fastener.

GENERAL MAINTENANCE TIPS

- ❖ The Nomad® reaches a full charge in approximately 5 hours. (Charge time may depend on ambient conditions and battery health). Do not leave the unit plugged into an electric power source after unit is fully charged.
- ❖ Maintain the light fully charged at all times, so that it is ready for use in the event of an emergency.
- ❖ If used outdoors in cold weather for an extended period of time allow the Nomad® to warm up to above 10°C/50°F before charging.
- ❖ Lithium-Ion batteries have a 500 full charge cycle life (CC followed by a CV cycle)*. When the light gets near this number of cycles, there will be a decrease in usage time. *CC=Constant Current charge (fast rate)
- ❖ The lithium-Ion batteries have a top-off or micro-charge life of around 1,200 cycles or more (CV only)*. If the Nomad® is unused for 60 to 90 days, plug in the AC-DC Adaptor for 1 to 2 hours to bring the batteries back up to peak charge. *CV=Constant Voltage charge (slow rate)
- ❖ As needed, wash the Nomad® using a soft washcloth, clean water and a mild soap. When done, pat dry with a soft cloth.

STORING YOUR NOMAD®

- ❖ Make sure the light is powered OFF by pressing the Power/Mode Switch until the light is no longer ON.
- ❖ Be sure to position the Light Head into the upright position BEFORE lowering the Tripo-Scope® Poles in the body.
- ❖ Put the Nomad® back into the Stored Position. Lower the Tripo-Scope® Poles by untightening the Tripo-Scope® Tightening Rings. Then, push the Light Head back into the Locking Sleeve.
- ❖ If the AC-DC Adaptor or 12VDC Cigarette Lighter Cable is being used, disconnect it from the Nomad® and store.

WARNINGS WHEN STORING

- ❖ The Nomad® depends on “ambient air” for cooling of its Light Head. After being ON for a while, the Nomad® Heatsink Fins (which help disperse heat) behind the Light Head will become warm to the touch (possibly hot) depending upon the run time, setting, and/or air temperature. The warmer the ambient air temperature is, the faster the head’s temperature will increase.
- ❖ When it is time to put the Nomad® away, either wait for the unit to cool off (usually 10–20 min) or protect hands (with work gloves or a cloth) when adjusting the Light Head.

WARRANTY AND OTHER INFORMATION

PRODUCT DURABILITY



CARE/CLEANING

Your FoxFury product is a professional tool. Regular maintenance and care of your light will maximize performance for you. As needed, wash your FoxFury product using a soft washcloth, clean water and a mild soap. Be sure that all parts are reassembled securely before washing. When done, pat dry with a damp cloth.

AVAILABLE ACCESSORIES

- ❖ Speed Ring Adaptor, P/N 85-047
- ❖ Soft Box 24" x 24", P/N 85-090
- ❖ Nomad® Prime & NOW AC Adaptor DC Cord Set, P/N 600-120
- ❖ Nomad® Prime Battery Replacement, P/N 600-200-800
- ❖ Carry Strap, P/N 51-056
- ❖ Nomad® Mount Clamps (set of 2), P/N 850-800
- ❖ Nomad® Carrying Bag, P/N 850-200-800
- ❖ Accessories Bag, P/N 600-250
- ❖ 3M Reflective (Yellow) Tape Strips (set of 3), P/N 70-125
- ❖ 3M Reflective (Yellow) Stickers (set of 3), P/N 70-126
- ❖ Diffuser Cap & Color Bands, P/N 850-080
- ❖ Red Diffuser Lens, P/N 85-050
- ❖ Amber Diffuser Lens, P/N 85-052

WARNINGS

FoxFury, LLC is not responsible for the incorrect use of any FoxFury Lighting product.

- ❖ When used for extended periods of time the Nomad® will become HOT to the touch. Please use care when operating.
- ❖ Lights are strong enough to cause damage to the human eye.
- ❖ Do not stare into LEDs for long periods of time or from a close range (less than 2 ft).
- ❖ FoxFury, LLC is not responsible for any injury or damage caused during the use of this product.
- ❖ Usage of this product must be supervised by an adult when it is being used by a minor.
- ❖ Any FoxFury product should be operated at speeds safe enough to maneuver around surrounding obstacles.
- ❖ Do not use under the influence of drugs or alcohol.
- ❖ Be sure to rinse the Nomad® with fresh water immediately after use in the ocean or a pool.

UV LIGHT (P/N 200-811)

Avoid direct eye exposure to UV light. Keep out of reach of children. The UV LED during operation radiates intense UV light. Do not look directly into the UV lighting during operation, even for a brief period. This can be harmful to the eyes due to the intensity of the UV light. When in use, please use UV filtered glasses to avoid eye damage.

INFRARED LIGHT (P/N 200-818, 200-819)

Avoid staring at the light. When visible to the human eye, it can cause long term damage.

LIMITED LIFETIME WARRANTY

FoxFury, LLC ("FoxFury") warrants this product to be free from defects in material for a lifetime of use except for batteries, LEDs, abuse, and normal wear. Mechanical components subjected to constant deformation or action, like springs and switches, and electronic components including chargers and LEDs are warranted for a period of two years from the time of purchase. FoxFury will repair or replace a product should it be determined defective.

Rechargeable batteries are consumable items, and carry a pro-rated 2 year warranty. Example: If a problem arises after one year of use, only 50% of the replacement cost will be charged, as long as the batteries are verified to have been charged, stored, and used in accordance with required practices.

This limited lifetime warranty is given only to the original end user of the accompanying product. If you purchased a product from someone other than an authorized FoxFury reseller/distributor or if the product was used, (including but not limited to demo models, show models or refurbished product by someone other than FoxFury) prior to your purchase, you are not the Original Purchaser and the product that you purchased is not covered by this warranty. This limited warranty is VOID if this Product has been altered or modified in any way (including but not limited to attempted warranty repair without authorization from FoxFury and/or alteration/removal of the serial number). To expedite warranty concerns, we encourage the end user to register their FoxFury

Product at www.foxfury.com/pages/warranty-registration.

THIS IS THE ONLY WARRANTY, EXPRESSED OR IMPLIED, INCLUDING ANY WARRANTY OF MERCHANTABILITY OR FITNESS FOR A PARTICULAR PURPOSE. INCIDENTAL, CONSEQUENTIAL OR SPECIAL DAMAGES ARE EXPRESSLY DISCLAIMED EXCEPT WHERE SUCH LIMITATION IS PROHIBITED BY LAW.

You may have other specific legal rights which vary by jurisdiction. Go to www.foxfury.com/pages/warranty for a complete copy of the warranty. Retain your receipt for proof of purchase.

CONTACT FOXFURY

FoxFury, LLC
Oceanside, CA 92056 USA
Toll-Free: 844-FOXFURY
Tel: 760.945.4231
Fax: 760.433.3650
Email: service@FoxFury.com
Web: FoxFury.com

All FoxFury products are designed in Oceanside, CA. All FoxFury products are manufactured with the highest quality USA and foreign parts. Products are assembled in either FoxFury's controlled plant in Asia or the USA, under strict quality control.

CALIFORNIA PROPOSITION 65

This product can expose you to chemicals including Lead and DEHP, which are known to the State of California to cause cancer and birth defects or other reproductive harm. For more information go to www.P65Warnings.ca.gov.

