

RUGO™

QUICK START GUIDE

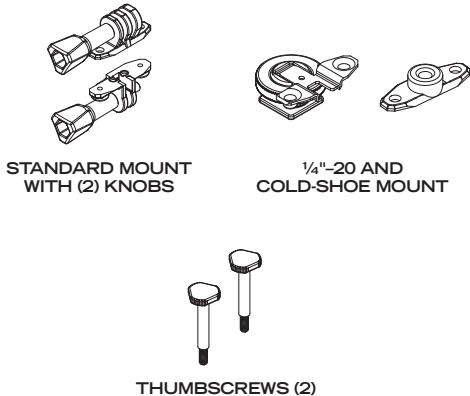
WARNINGS

- ⚠ When used for extended periods of time the Rugo™ will become HOT to the touch.
- ⚠ Do not stare into the LEDs for long periods of time or from a close range (less than 2ft).
- ⚠ This product is designed as an auxiliary lighting tool to be used with photo, video, and film.
- ⚠ DO NOT use the Rugo™ as a primary light source for activities.
- ⚠ While using any FoxFury product, please operate at safe speeds.
- ⚠ Be sure to rinse the Rugo™ with fresh water immediately after use in the ocean or a pool.
- ⚠ It is the responsibility of drone/UAV users to follow the FAA laws and regulations and/or the laws and regulations applicable to flight location.

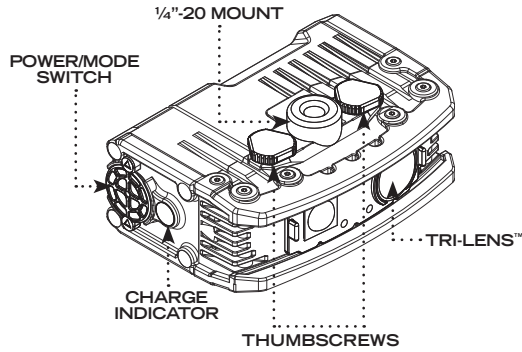
IMPORTANT!

Please fully charge the Quick Swap™ Power Pack before using the Rugo™ for the first time.

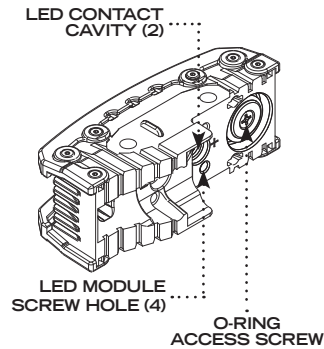
MOUNTS INCLUDED



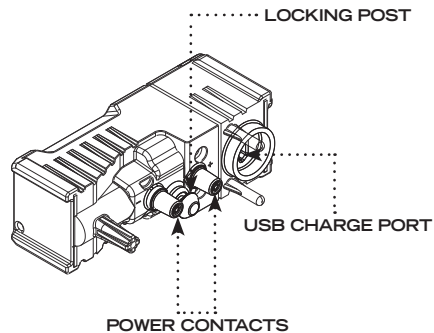
FULL ASSEMBLY



DISASSEMBLED LIGHT HEAD

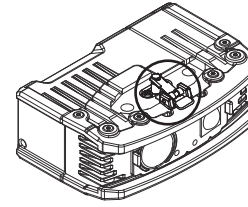


DISASSEMBLED POWER PACK



CHARGING THE POWER PACK

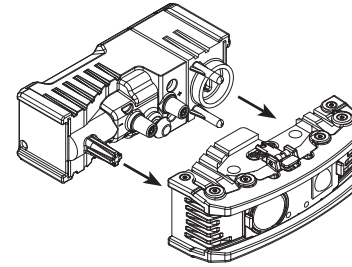
1



Press and hold the Power Pack Release Lever located on the Light Head portion of the Rugo™.

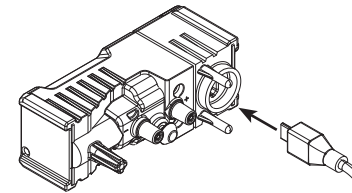
(Rugo™ in steps 1-3 shown with no mounts and is flipped to show Power Pack Release Lever)

2



While maintaining pressure on the Power Pack Release Lever, pull the Light Head and Power Pack apart. If unable to pull apart easily, try moving the Power Pack back and forth while continuing to pull.

3



Insert the provided Micro USB Cable into the Power Pack. Then, insert the opposite end USB (Type A) into a USB compatible power source or into the included AC/DC Adaptor.

OPERATIONAL MODES

MODES	R1 (700-300)	RC (700-301)
DIM	70 LUMENS	70 LUMENS
LOW	200 LUMENS	200 LUMENS
MEDIUM	400 LUMENS	380 LUMENS
HIGH	700 LUMENS	620 LUMENS

MODES	R1S (700-300S)	RCS (700-301S)
LOW	70 LUMENS	70 LUMENS
MEDIUM	400 LUMENS	380 LUMENS
HIGH	700 LUMENS	620 LUMENS
STROBE	700 LUMENS	620 LUMENS

POWER PACK LIFE

QUICK SWAP® POWER PACK WITH STROBE (N50-220)

MODE	DURATION
HIGH	1 hour
MEDIUM	1.5 hours
LOW	6.75 hours
STROBE	2.5 hours

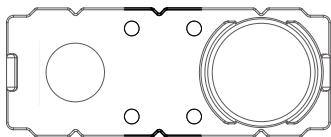
QUICK SWAP® POWER PACK (N50-200)

MODE	DURATION
HIGH	1 hour
MEDIUM	1.5 hours
LOW	3.5 hours
DIM	6.75 hours

*Power Pack life may vary according to age and ambient conditions.

- 🔋 The Charge Indicator will turn green once fully charged.
- 🔋 Charging time is about 2.5 hours.
- 🔋 Do NOT leave Power Pack charging for extended periods of time.
- 🔋 When disassembled, keep both ends dry and away from water.

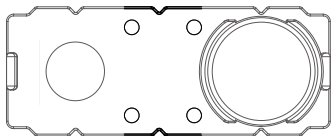
USING THE TRI-LENS™



FLOOD - 120°

OPERATIONAL BEAM DISTANCE: 10 ft (3 m)

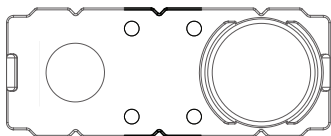
USED FOR: Close-up



AREA - 55°

OPERATIONAL BEAM DISTANCE: 30 ft (10 m)

USED FOR: Mid-range



SPOT - 25°

OPERATIONAL BEAM DISTANCE

FOR RC AND RCS: 50 ft (15 m)

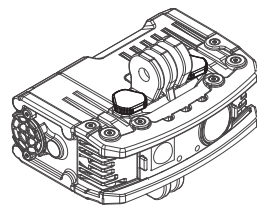
OPERATIONAL BEAM DISTANCE FOR R1

AND R1S: 100 ft (30 m)

USED FOR: Distance

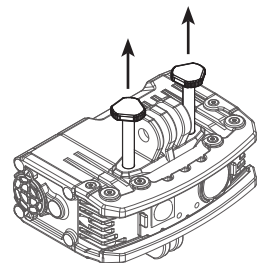
REMOVING/CHANGING THE STANDARD MOUNT

1



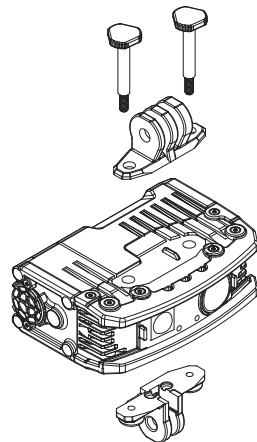
Start with the Rugo™ positioned so that the Thumbscrews are on top.

2



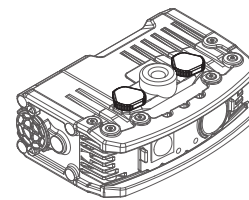
Twist each Thumbscrew counter-clockwise until they become loose. They should then be ready to pull out completely.

3



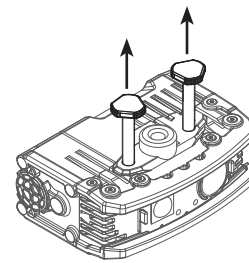
REMOVING/CHANGING THE 1/4"-20 & COLD-SHOE MOUNT

1



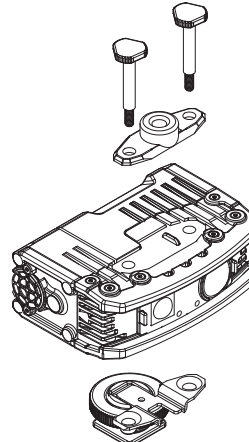
Start with the Rugo™ positioned so that the Thumbscrews are on top.

2

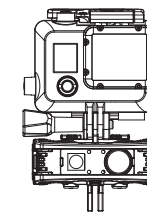
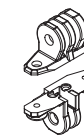
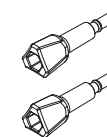


Twist each Thumbscrew counter-clockwise until they become loose. They should then be ready to pull out completely.

3



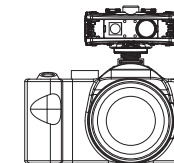
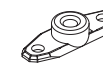
MOUNTING TO DEVICES



NOTE: Orientation of Mount Knobs should match as shown above.

ACTION CAM

The Rugo™ can be mounted to an Action Cam via the removable Standard Mount. Line up the mounts on the Rugo™ with the mounts on the Action Cam and then tighten the Mount Knobs.



CAMERA

The Rugo™ can be mounted to a DSLR camera via the removable Cold-shoe Mount. Simply slide the mount onto the camera flash attachment and twist the Locking Ring until securely fastened.



TRIPOD OR PUCK ADAPTOR

The Rugo™ can be mounted to most tripods or to the Puck Adaptor (purchased separately) via the 1/4"-20 Mount. Twist the threaded hole of the Rugo™ 1/4"-20 Mount onto the screw of the tripod or Puck. Then, twist the Rugo™ and Puck until it is securely fastened.